

METAL LEAFLET LAY-IN

LAY-IN BOARD	02
LAY-IN MICROLOOK	07
LAY-IN TEGULAR	14
LAY-IN AXAL VECTOR	23
METAL PREMIUM B15	31

Metal
product



LAY-IN BOARD
Square & rectangular tiles

Inspiring Great Spaces™

Armstrong®

LAY-IN BOARD

SQUARE & RECTANGULAR TILES

BENEFITS

- Diversity of design and application
- Easily assembled and fully demountable
- Cost effective ceiling solution
- Tiles are easily lifted out by hand, allowing full and easy access to the ceiling void.

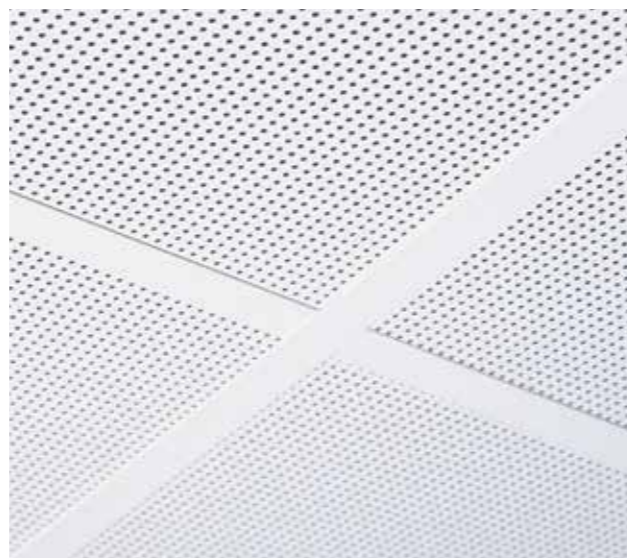
APPLICATION AREA

- Used in a variety of ceiling areas: from small service rooms to large commercial office buildings and major transportation terminals.

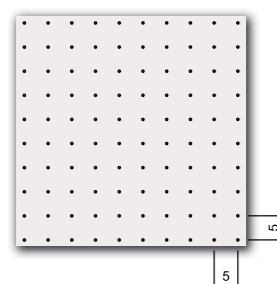
SPECIFICATION

System	Armstrong ceiling system Board, Lay-In solution with visible grid 24 mm	Perimeter solution	Range of standards trims in steel and aluminium plus custom bulkheads available
Tile material	galvanised steel sheet 0.5 mm (aluminium or other materials on request)	Service integration	standard round or rectangular cut-outs plus customised options on request.
Execution*	square tile square edged with standard notching		
Standard modules	600 x 600 mm 625 x 625 mm 1200 x 600 mm		
Grid system	tested modular system Prelude TLX 24 further suspension methods on request		
Coating	RAL 9010 pure white post-coated powder painted visible surface, other RAL or NCS colours on request		
Gap solution	0 mm gap, without gasket		
Acoustic inlay	Black non-woven acoustic fleece as standard. Other options available on request.		

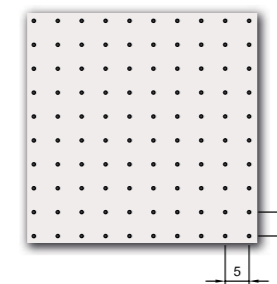
* For further information about the edge detail execution of metal tiles, please see the Metal Edge Detail Execution datasheet



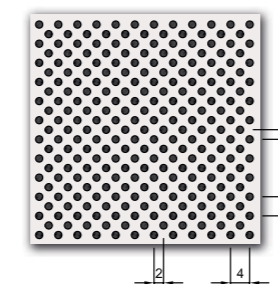
STANDARD PERFORATION PATTERNS



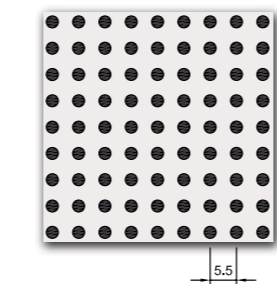
Ultra Microperforation Rg 0501
Hole diameter: 0.5 mm
Free area: 0.64 %



Extra Microperforation Rg 0701
Hole diameter: 0.7 mm
Free area: 1.5 %



Microperforation Rd 1522
Hole diameter: 1.5 mm
Open area: 22%



Standard Perforation Rg 2516
Hole diameter: 2.5 mm
Open area: 16%

ACOUSTIC PERFORMANCE

Metal ceiling systems have been tested for their acoustic performance of sound absorption. All perforated products can be supplied with a variety of factory fitted acoustic infill options. Please contact us for more information.

THERMAL CONDUCTIVITY

(λ) W/mK
50.0 : Steel
0.04 : Acoustic fleece

HUMIDITY EXPOSURE

Up to 95% RH (for short term exposure).

SERVICES INTEGRATION

Metal panels can be supplied with factory produced cut outs and apertures for the integration of building services equipment.

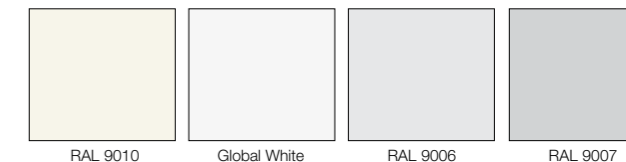
CLEANING

Dust should be removed from the painted surface by wiping with a clean soft cloth. More stubborn marks should be removed with a mild household detergent in warm water. Excessive use of water should be avoided. The use of abrasive cleaners of the painted surface is not recommended.

COLOUR

Standard colours

RAL 9010	20% gloss
Global White	12% gloss
RAL 9006	30% gloss
RAL 9007	30% gloss



Special colours

Other RAL and NCS colours available on request

QUALITY STANDARD

Armstrong is a certified **EN ISO 9001:2008** Quality Assured Manufacturer. All Armstrong ceiling and grid systems are manufactured to the relevant tolerances and quality standards appropriate to material. Where differences exist between this and any expressed or implied architectural specifications or requirements then Armstrong's manufacturing standards will prevail unless stated otherwise.

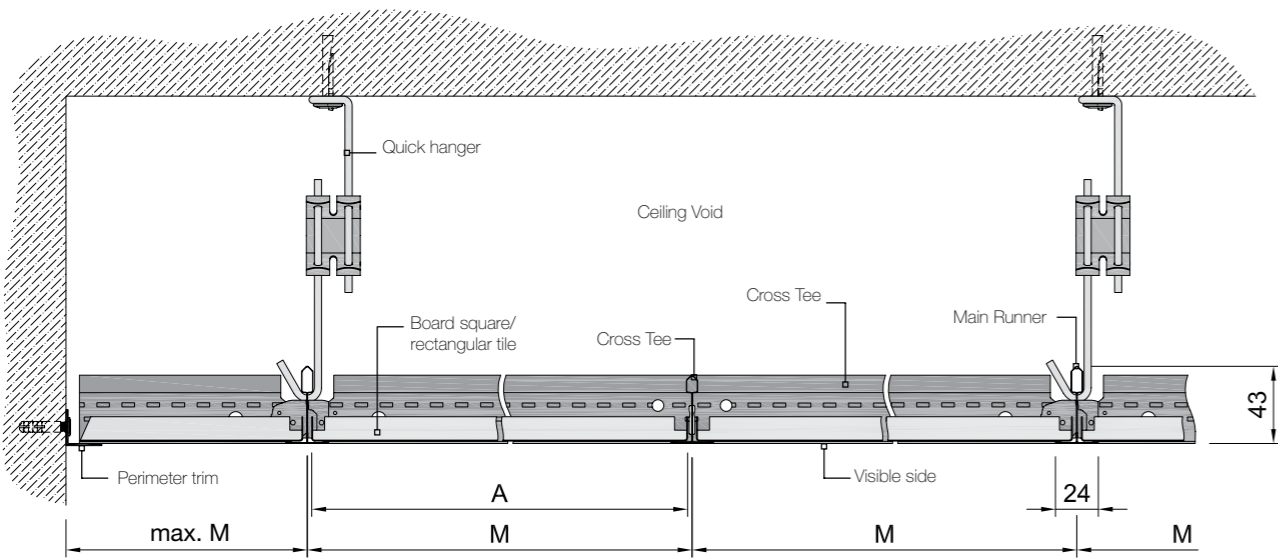
ENVIRONMENTAL

Our metal panels have an average of up to 30% recycling content. Our European manufacturing plants are certified to: **ISO 14001:2004 + Cor. 1:2009**
Armstrong is a member of TAIM (Technical Association of Industrial Metal Ceilings).

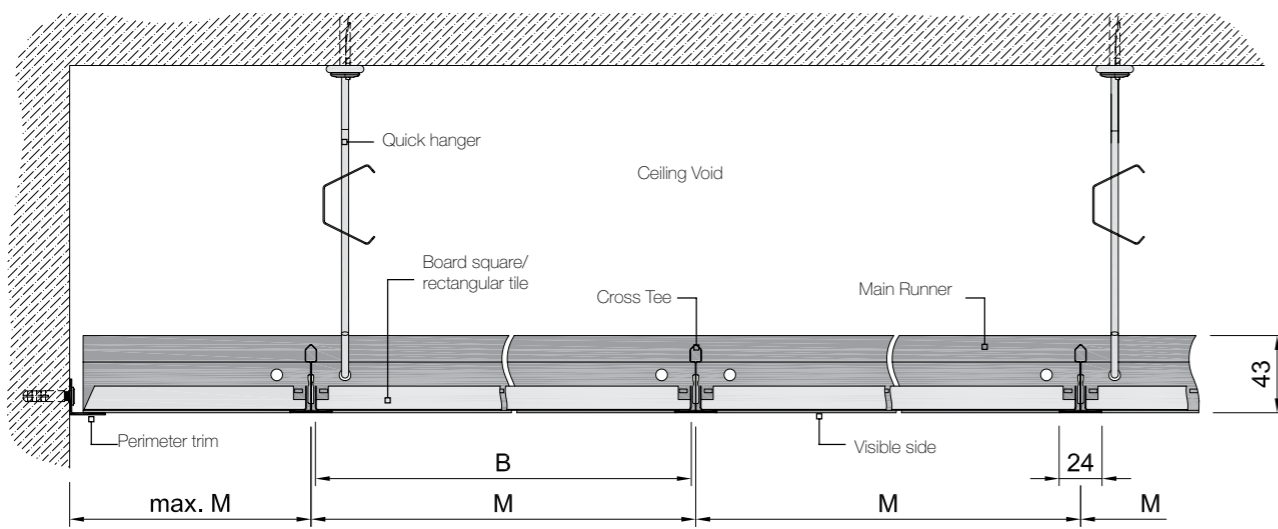
Sustainability		Acoustics					Safe & Healthy					
Recycled content (%)	Light reflectance (%)	α _w up to	Sound absorption class	NRC up to	Dncw / Dnfw (dB) up to	Rw (dB) up to	Fire reaction	Humidity Resistance (%) up to	Cleanability	Bioguard paint option	Scratch resistance	
ISO 14021												
Ultra Microperforation Rg 0501 (1)	up to 30	83	0.45(L)	D	0.55	18	8	A1	95	scrubbable	✓	✓
Extra Microperforation Rg 0701 (2)	up to 30	80	0.55(L)	D	0.65	21	10	A2-s2, d0	95	wipeable moist cloth (3)	✓	✓
Microperforation Rd 1522 (2)	up to 30	65	0.70	C	0.70	16	6	A2-s2, d0	95	wipeable moist cloth (3)		✓
Standardperforated Rg 2516 (2)	up to 30	70	0.75(L)	C	0.80	18	8	A2-s2, d0	95	wipeable moist cloth (3)		✓
Plain / Unperforated (1)	up to 30	85	0.10(L)	Not Classified	0.10	44	19	A1	95	scrubbable	✓	✓
Premium B15	up to 30	depends on perforation	0.65	C	0.60	47	21	A2-s1, d0	95	wipeable moist cloth		✓
Premium OP19	up to 30	depends on perforation	1.00	A	0.90	31	15	A2-s2, d0	95	wipeable moist cloth		✓

(1) RAL 9010 colour, without acoustic inlay. (2) RAL 9010 colour, with black acoustic fleece glued on rear. (3) Wipeable moist cloth for perforated tiles with fleece. Scrubbable for plain tiles or perforated tiles without fleece.

CROSS-SECTION BOARD

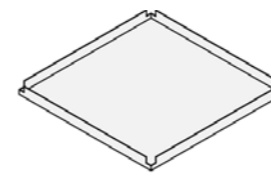


LONGITUDINAL-SECTION BOARD

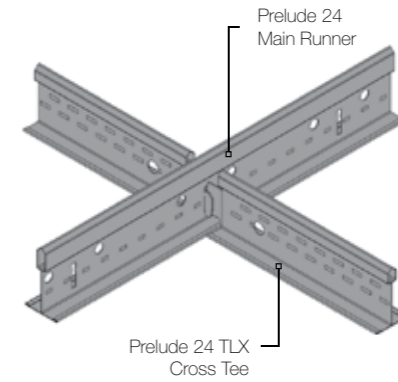


M = module size / A = panel length / B = panel width

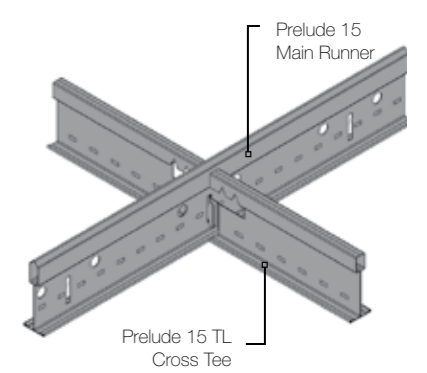
Detail A Board square tile



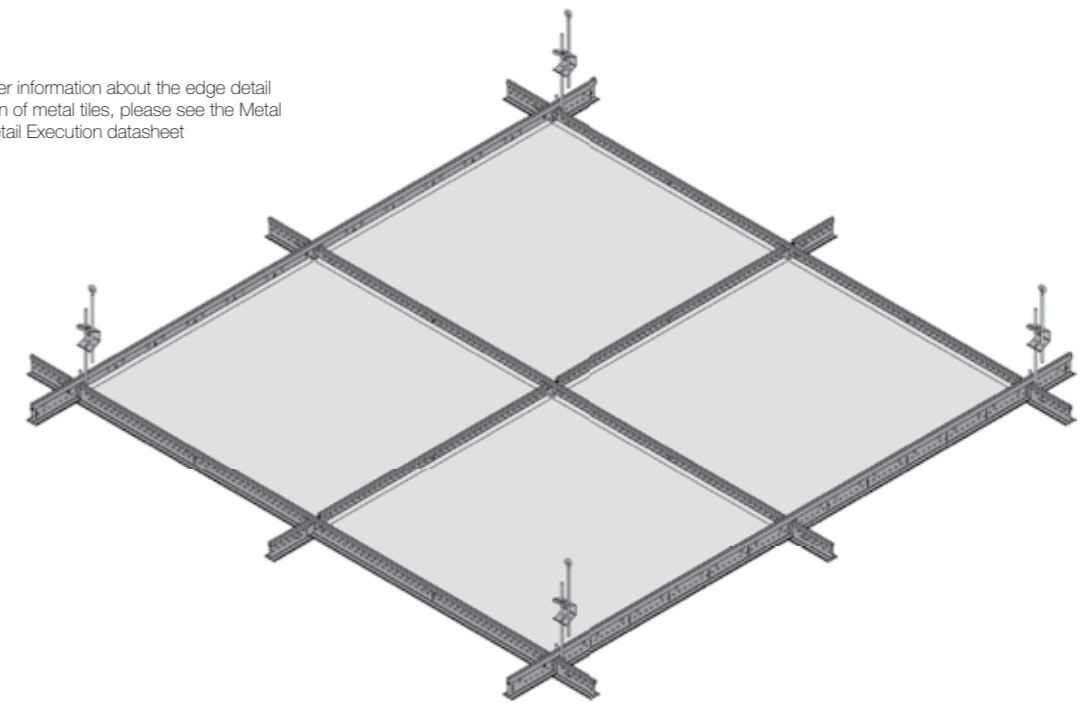
Detail B Prelude 24 TLX grid option



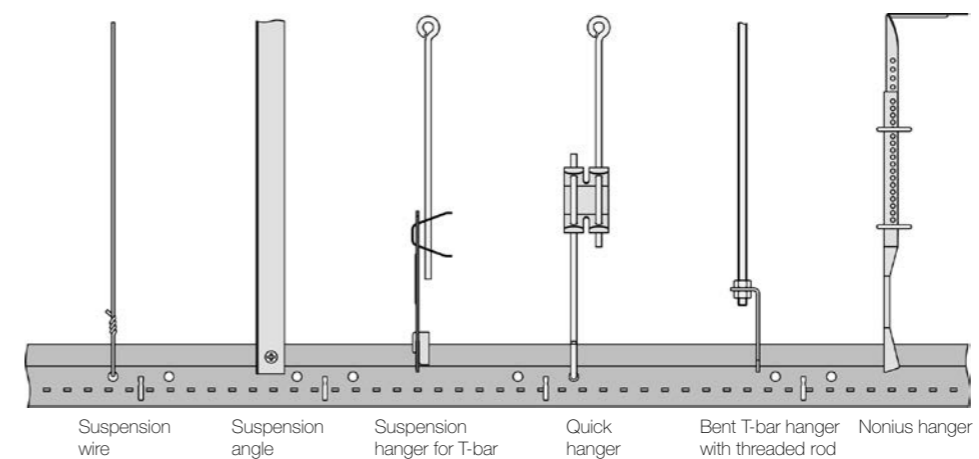
Detail C Prelude 15 TL grid option



For further information about the edge detail execution of metal tiles, please see the Metal Edge Detail Execution datasheet



Detail D suspension methods



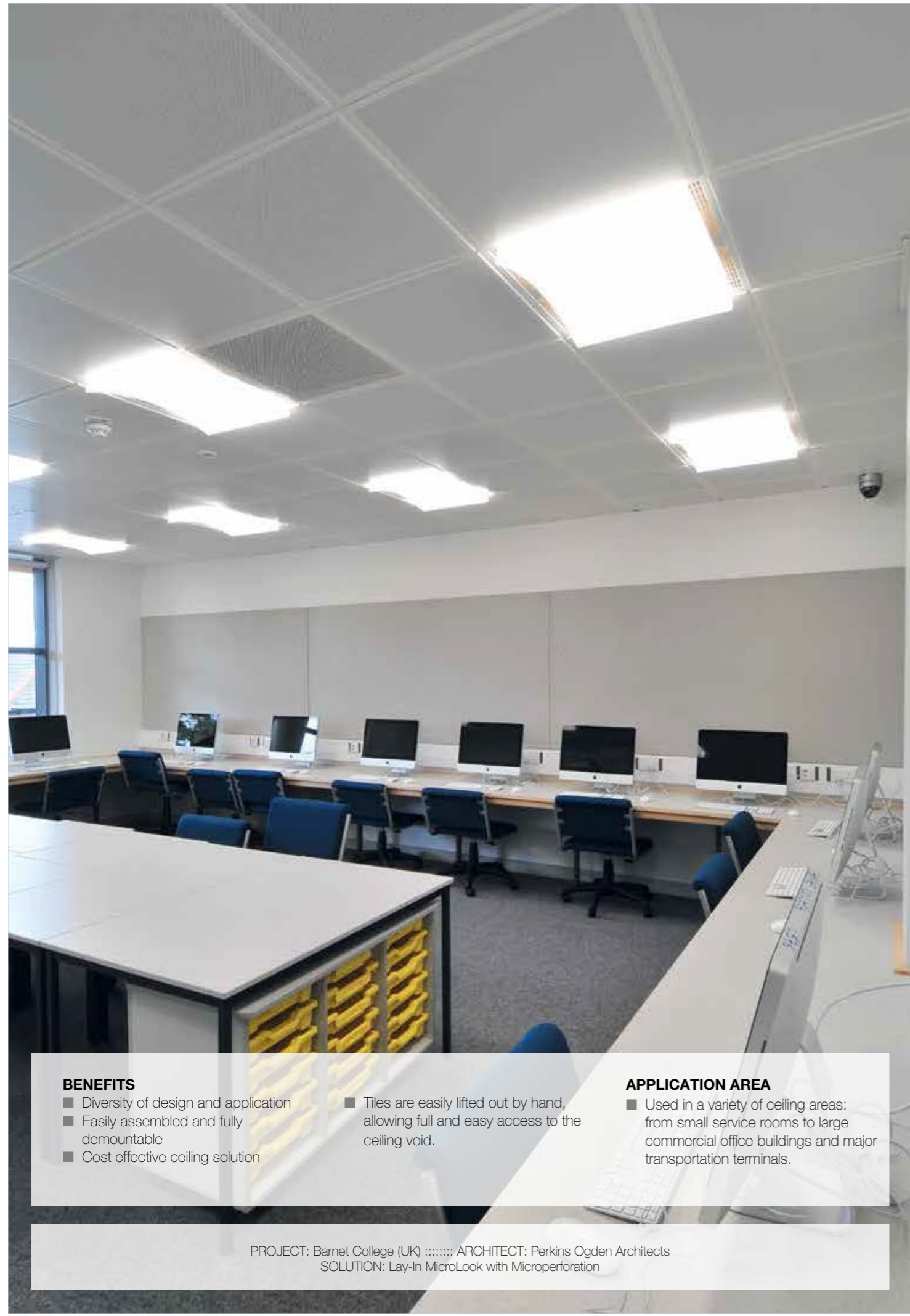
Metal
product



LAY-IN MICROLOOK
Square & rectangular tiles

Inspiring Great Spaces™

Armstrong®



LAY-IN MICROLOOK SQUARE & RECTANGULAR TILES

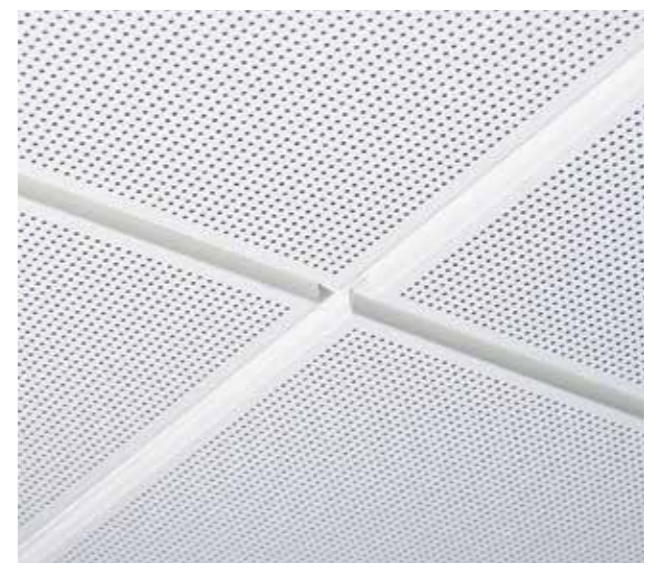
SPECIFICATION

System	Armstrong ceiling system MicroLook 8 & 16 Lay-In solution with visible grid 15 mm	
Panels Material	galvanised steel sheet 0.5 mm (0.6 mm for module 750 x 750 mm) (aluminium or further materials on request)	
Execution*	square tile square edged with 8 mm or 16 mm drop and standard notching	
Standard modules		
MicroLook 8:	500 x 500 mm 675 x 675 mm 300 x 1200 mm	600 x 600 mm 750 x 750 mm 600 x 1200 mm
MicroLook 16:	500 x 500 mm 675 x 675 mm	600 x 600 mm 750 x 750 mm
Grid system	tested modular system Prelude TL 15 / XL ² 15, 15. Optional design grid Silhouette or Interlude. Further suspension methods on request	
Coating	RAL 9010 pure white post-coated powder painted visible surface, other RAL or NCS colours on request	
Acoustic inlay	Black non-woven acoustic fleece as standard. Other options available on request.	
Perimeter solution	Range of standards trims in steel and aluminium plus custom bulkheads available	
Service integration	standard round or rectangular cut-outs plus customized options on request.	

* For further information about the edge detail execution of metal tiles, please see the Metal Edge Detail Execution datasheet



MicroLook 8



MicroLook 16

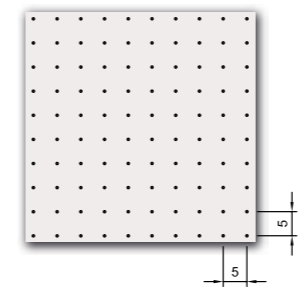
BENEFITS

- Diversity of design and application
- Easily assembled and fully demountable
- Cost effective ceiling solution

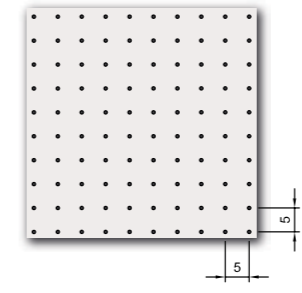
APPLICATION AREA

- Tiles are easily lifted out by hand, allowing full and easy access to the ceiling void.
- Used in a variety of ceiling areas: from small service rooms to large commercial office buildings and major transportation terminals.

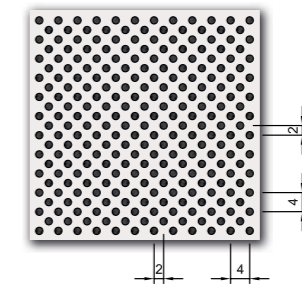
STANDARD PERFORATION PATTERNS



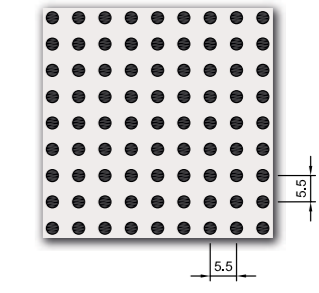
Ultra Microperforation Rg 0501
Hole diameter: 0.5 mm
Free area: 0.64 %



Extra Microperforation Rg 0701
Hole diameter: 0.7 mm
Free area: 1.5 %



Microperforation Rd 1522
Hole diameter: 1.5 mm
Open area: 22%



Standard Perforation Rg 2516
Hole diameter: 2.5 mm
Open area: 16%

PROJECT: Barnet College (UK) ARCHITECT: Perkins Ogden Architects
SOLUTION: Lay-In MicroLook with Microperforation

ACOUSTIC PERFORMANCE

Metal ceiling systems have been tested for their acoustic performance of sound absorption. All perforated products can be supplied with a variety of factory fitted acoustic infill options. Please contact us for more information.

THERMAL CONDUCTIVITY

(λ) W/mK
 50.0 : Steel
 0.04 : Acoustic fleece

HUMIDITY EXPOSURE

Up to 95% RH (for short term exposure).

SERVICES INTEGRATION

Metal panels can be supplied with factory produced cut outs and apertures for the integration of building services equipment.

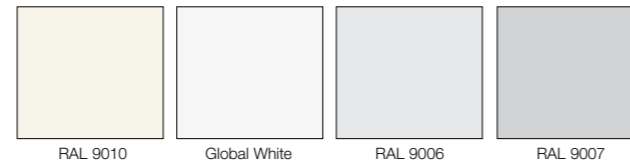
CLEANING

Dust should be removed from the painted surface by wiping with a clean soft cloth. More stubborn marks should be removed with a mild household detergent in warm water. Excessive use of water should be avoided. The use of abrasive cleaners of the painted surface is not recommended.

COLOUR

Standard colours

RAL 9010 20% gloss
 Global White 12% gloss
 RAL 9006 30% gloss
 RAL 9007 30% gloss



Special colours

Other RAL and NCS colours available on request

QUALITY STANDARD

Armstrong is a certified **EN ISO 9001:2008** Quality Assumed Manufacturer. All Armstrong ceiling and grid systems are manufactured to the relevant tolerances and quality standards appropriate to material. Where differences exist between this and any expressed or implied architectural specifications or requirements then Armstrong's manufacturing standards will prevail unless stated otherwise.

ENVIRONMENTAL

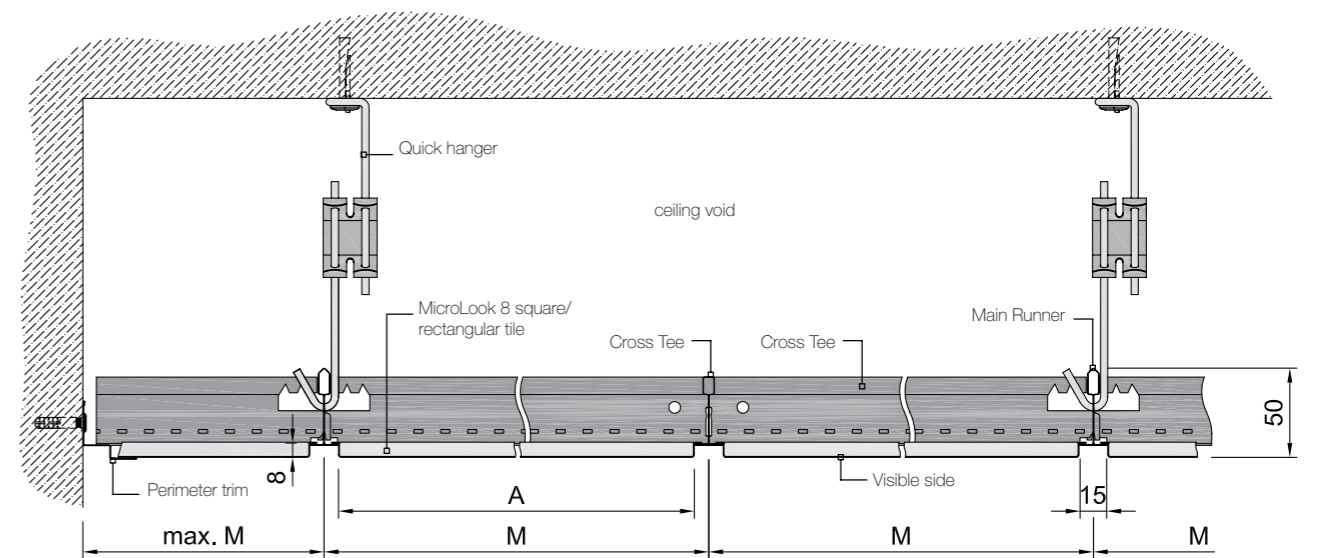
Our metal panels have an average of up to 30% recycling content. Our European manufacturing plants are certified to: **ISO 14001:2004 + Cor. 1:2009**
 Armstrong is a member of TAIM (Technical Association of Industrial Metal Ceilings).

Sustainability		Acoustics						Safe & Healthy				
Recycled content (%)	Light reflectance (%)	α _w up to	Sound absorption class	NRC up to	Dncw / Dnfw (dB) up to	Rw (dB) up to	Fire reaction	Humidity Resistance (%) up to	Cleanability	Bioguard paint option	Scratch resistance	

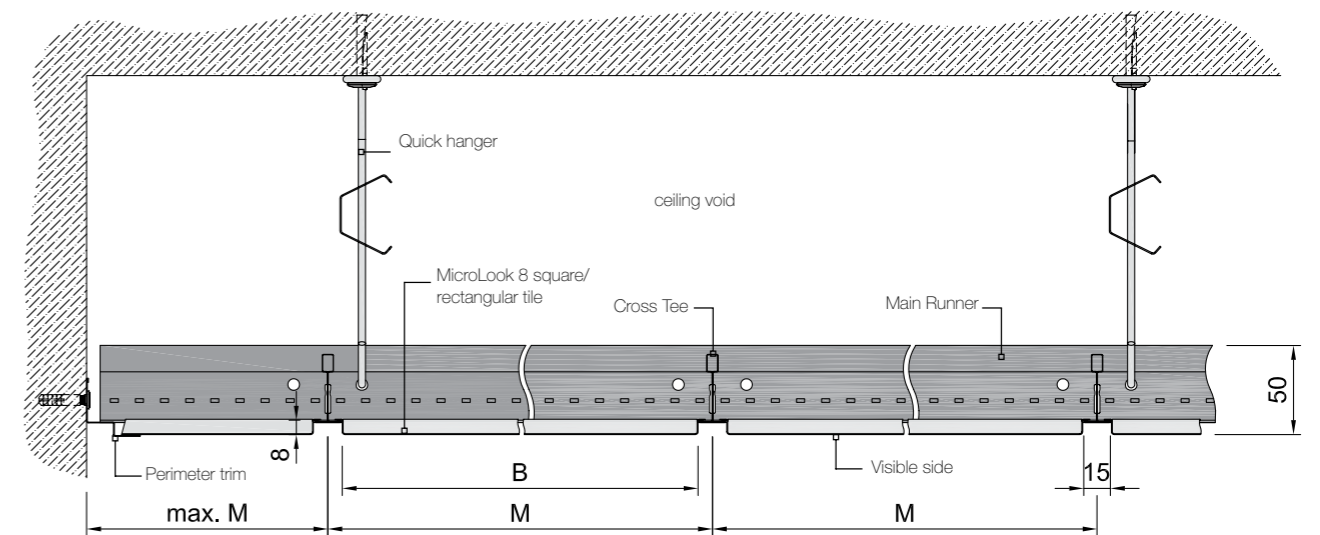
Ultra Microperforation Rg 0501 (1)	up to 30	83	0.45(L)	D	0.55	18	8	A1	95	scrubbable	✓	✓
Extra Microperforation Rg 0701 (2)	up to 30	80	0.55(L)	D	0.65	21	10	A2-s2, d0	95	wipeable moist cloth (3)	✓	✓
Microperforation Rd 1522 (2)	up to 30	65	0.70	C	0.70	16	6	A2-s2, d0	95	wipeable moist cloth (3)		✓
Standardperforated Rg 2516 (2)	up to 30	70	0.75(L)	C	0.80	18	8	A2-s2, d0	95	wipeable moist cloth (3)		✓
Plain / Unperforated (1)	up to 30	85	0.10(L)	Not Classified	0.10	44	19	A1	95	scrubbable	✓	✓
Premium B15	up to 30	depends on perforation	0.65	C	0.60	47	21	A2-s1, d0	95	wipeable moist cloth		✓
Premium OP19	up to 30	depends on perforation	1.00	A	0.90	31	15	A2-s2, d0	95	wipeable moist cloth		✓

(1) RAL 9010 colour, without acoustic inlay. (2) RAL 9010 colour, with black acoustic fleece glued on rear. (3) Wipeable moist cloth for perforated tiles with fleece. Scrubbable for plain tiles or perforated tiles without fleece.

CROSS-SECTION MICROLOOK 8

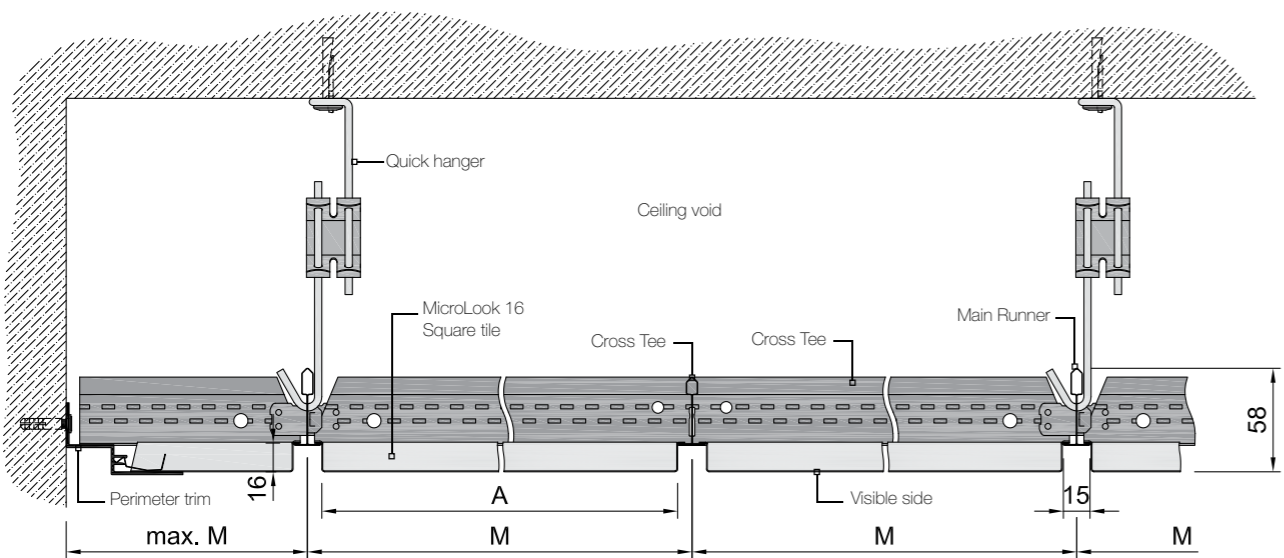


LONGITUDINAL-SECTION MICROLOOK 8

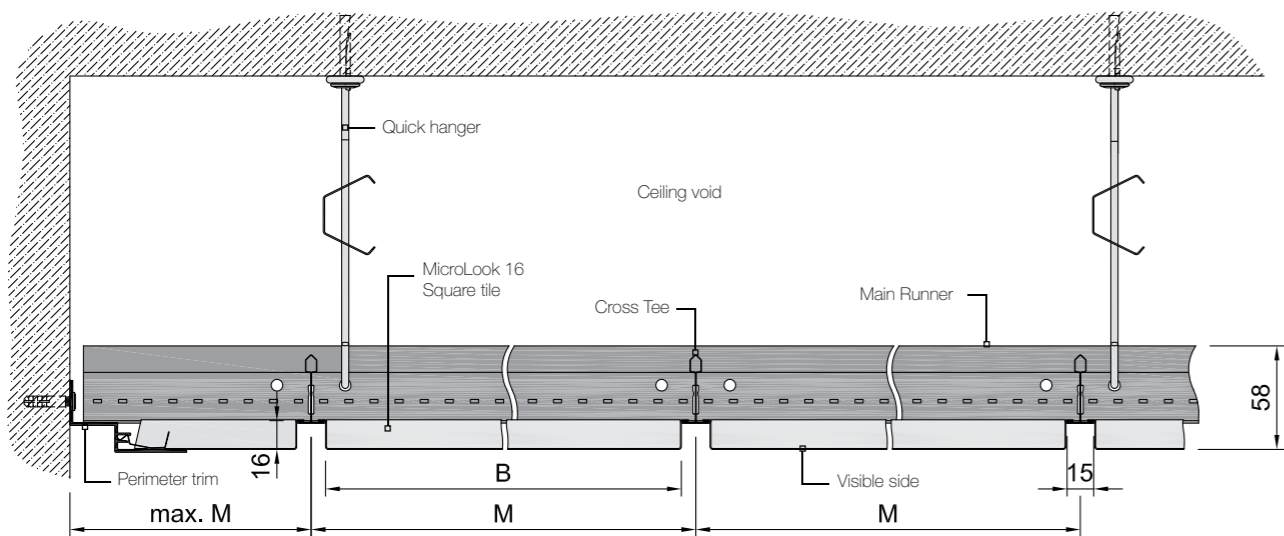


M = module size / A = panel length / B = panel width

CROSS-SECTION MICROLOOK 16

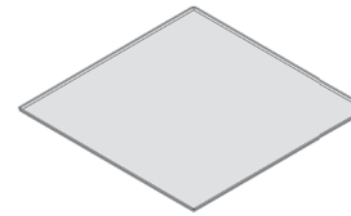


LONGITUDINAL-SECTION MICROLOOK 16

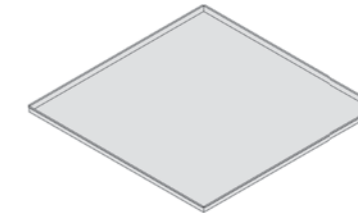


M = module size / A = panel length / B = panel width

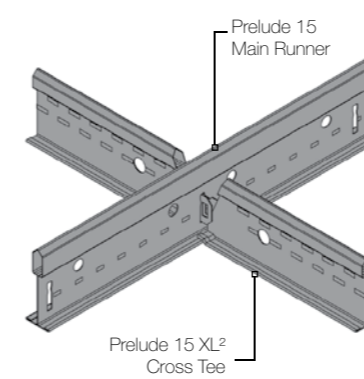
Detail A MicroLook 8 square tile option



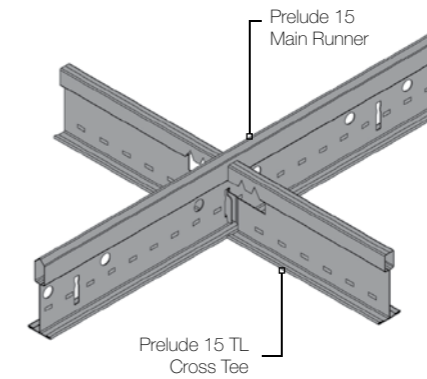
Detail B MicroLook 16 square tile



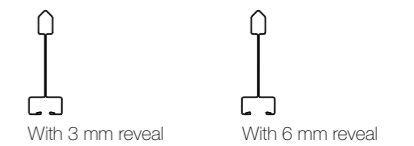
Detail C grid system



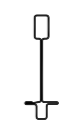
Detail D grid system



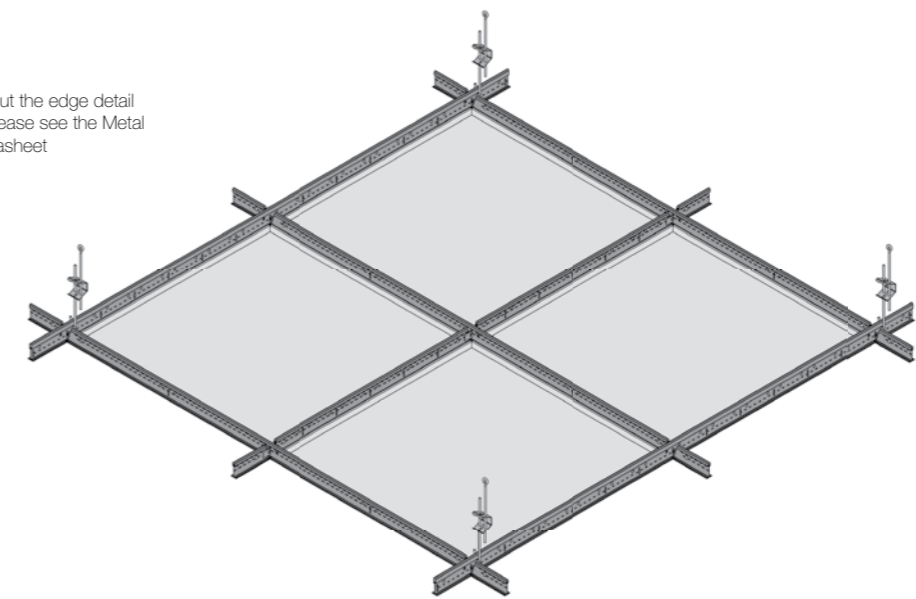
Detail E Design grid Silhouette 15 XL²



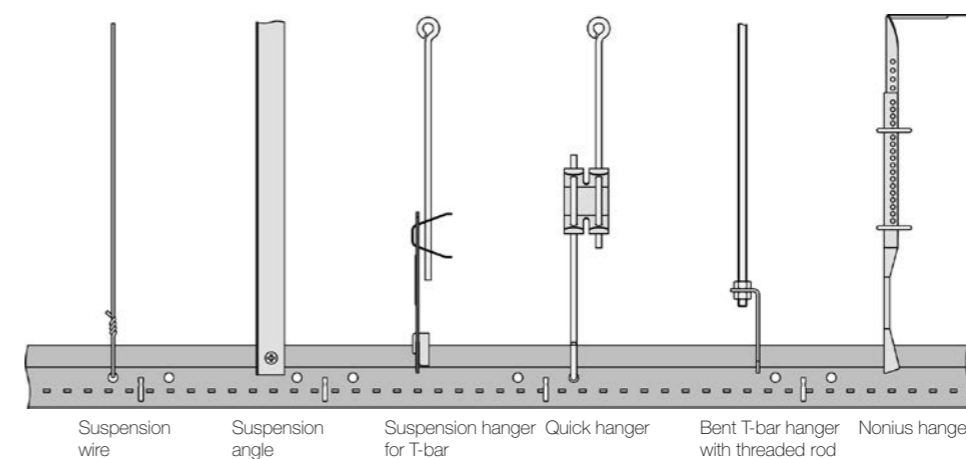
Detail F Design grid Interlude 15 XL²



For further information about the edge detail execution of metal tiles, please see the Metal Edge Detail Execution datasheet



Detail G suspension methods



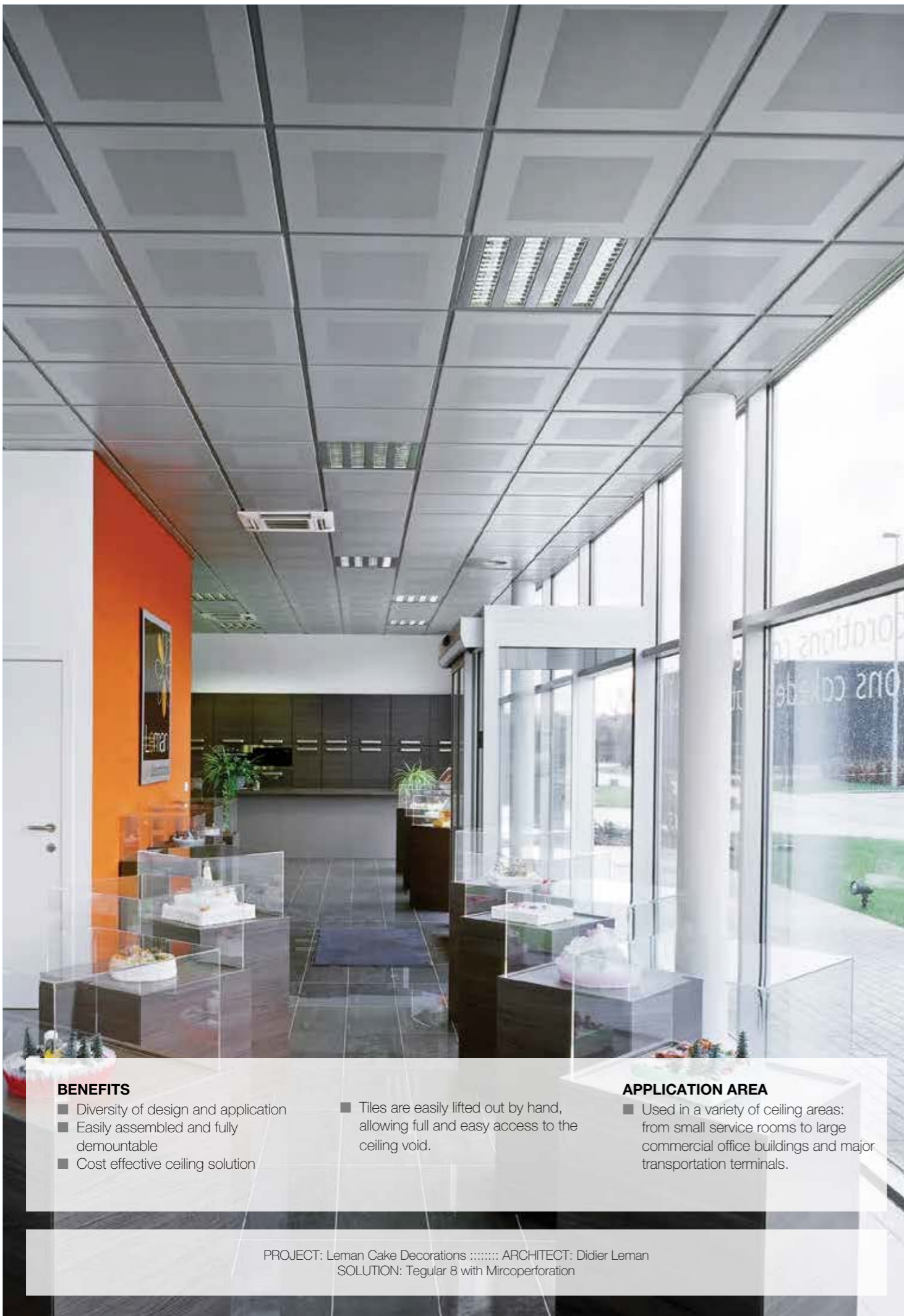
Metal
product

LAY-IN TEGULAR
Square & rectangular tiles

Inspiring Great Spaces™

Armstrong®

LAY-IN TEGULAR SQUARE & RECTANGULAR TILES



BENEFITS

- Diversity of design and application
- Easily assembled and fully demountable
- Cost effective ceiling solution

APPLICATION AREA

- Tiles are easily lifted out by hand, allowing full and easy access to the ceiling void.
- Used in a variety of ceiling areas: from small service rooms to large commercial office buildings and major transportation terminals.

PROJECT: Leman Cake Decorations : : : : : ARCHITECT: Didier Leman
SOLUTION: Tegular 8 with Microperforation

SPECIFICATION

System	Armstrong ceiling system Tegular 2, 8, 11F and 16 Lay-In solution with visible grid 24 mm
Tile material	galvanised steel sheet 0.5 mm (0.6 mm for module 750 x 750 mm) aluminium or further materials on request
Coating	RAL 9010 pure white post-coated powder painted visible surface, other RAL or NCS colours on request
Tile details	TEGULAR 2: square tile square edged with 2.5 mm drop and standard notching TEGULAR 8: square tile square edged with 8 mm drop and standard notching
Acoustic inlay	Black non-woven acoustic fleece as standard. Other options available on request.

Standard modules	TEGULAR 2:	600 x 600 mm 625 x 625 mm
	TEGULAR 8:	500 x 500 mm 600 x 600 mm 675 x 675 mm 300 x 1200 mm 600 x 1200 mm
	TEGULAR 11F:	600 x 600 mm 625 x 625 mm 600 x 1200 mm
	TEGULAR 16:	500 x 500 mm 600 x 600 mm 675 x 675 mm 750 x 750 mm
Grid system	Prelude 24 TLX and XL ² (NB: only TLX for Tegular 2) further suspension systems on request	
Perimeter solution	Range of standards trims in steel and aluminium plus custom bulkheads available	
Service integration	standard round or rectangular cut-outs plus customised options on request	



Tegular 2



Tegular 8

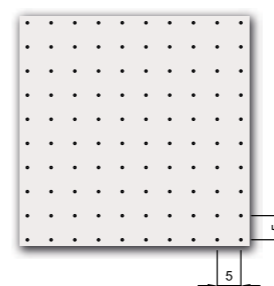


Tegular 11F

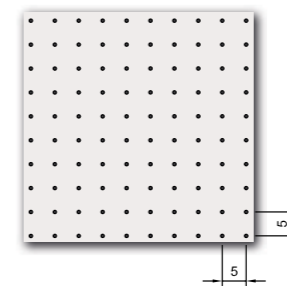


Tegular 16

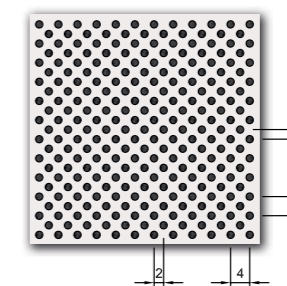
STANDARD PERFORATION PATTERNS



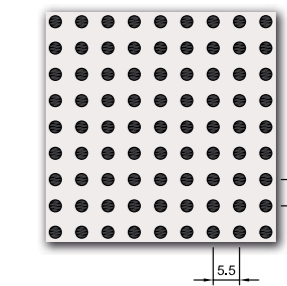
Ultra Microperforation* Rg 0501
Hole diameter: 0.5 mm
Free area: 0.64 %



Extra Microperforation Rg 0701
Hole diameter: 0.7 mm
Free area: 1.5 %



Microperforation Rd 1522
Hole diameter: 1.5 mm
Open area: 22%



Standard Perforation Rg 2516
Hole diameter: 2.5 mm
Open area: 16%

*only available for Tegular 2 and Tegular 11F

ACOUSTIC PERFORMANCE

Metal ceiling systems have been tested for their acoustic performance of sound absorption. All perforated products can be supplied with a variety of factory fitted acoustic infill options. Please contact us for more information.

THERMAL CONDUCTIVITY

(λ) W/mK
50.0: Steel
0.04: Acoustic fleece

HUMIDITY EXPOSURE

Up to 95% RH (for short term exposure).

SERVICES INTEGRATION

Metal panels can be supplied with factory produced cut outs and apertures for the integration of building services equipment.

CLEANING

Dust should be removed from the painted surface by wiping with a clean soft cloth. More stubborn marks should be removed with a mild household detergent in warm water. Excessive use of water should be avoided. The use of abrasive cleaners of the painted surface is not recommended.

COLOURS

Standard colour

- RAL 9010 20% gloss
- Global White 12% gloss
- RAL 9006 30% gloss
- RAL 9007 30% gloss



Special colours

Other RAL and NCS colours available on request

QUALITY STANDARD

Armstrong is a certified **EN ISO 9001:2008** Quality Assumed Manufacturer. All Armstrong ceiling and grid systems are manufactured to the relevant tolerances and quality standards appropriate to material. Where differences exist between this and any expressed or implied architectural specifications or requirements then Armstrong's manufacturing standards will prevail unless stated otherwise.

ENVIRONMENTAL

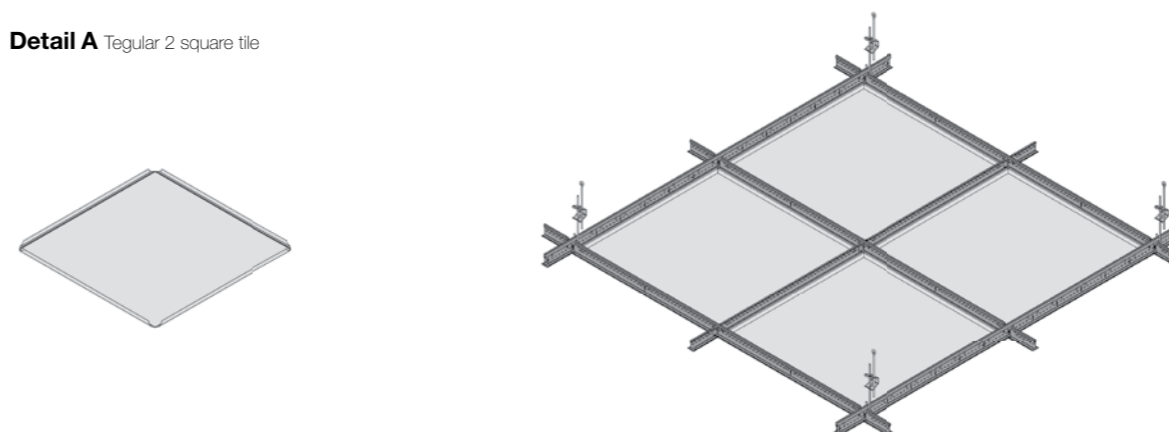
Our metal panels have an average of up to 30% recycling content. Our European manufacturing plants are certified to: **ISO 14001:2004 + Cor. 1:2009**
Armstrong is a member of TAIM (Technical Association of Industrial Metal Ceilings).

Sustainability		Acoustics						Safe & Healthy				
Recycled content (%)	Light reflectance (%)	α _w up to	Sound absorption class	NRC up to	Dncw / Dnfw (dB) up to	Rw (dB) up to	Fire reaction	Humidity Resistance (%) up to	Cleanability	Bioguard paint option	Scratch resistance	
ISO 14021												
Ultra Microperforation Rg 0501 (1)	up to 30	83	0.45(L)	D	0.55	18	8	A1	95	scrubbable	✓	✓
Extra Microperforation Rg 0701 (2)	up to 30	80	0.55(L)	D	0.65	21	10	A2-s2, d0	95	wipeable moist cloth (3)	✓	✓
Microperforation Rd 1522 (2)	up to 30	65	0.70	C	0.70	16	6	A2-s2, d0	95	wipeable moist cloth (3)		✓
Standard Perforation Rg 2516 (2)	up to 30	70	0.75(L)	C	0.80	18	8	A2-s2, d0	95	wipeable moist cloth (3)		✓
Plain / Unperforated (1)	up to 30	85	0.10(L)	Not Classified	0.10	44	19	A1	95	scrubbable	✓	✓
Premium B15*	up to 30	depends on perforation	0.65	C	0.60	47	21	A2-s1, d0	95	wipeable moist cloth		✓
Premium OP19*	up to 30	depends on perforation	1.00	A	0.90	31	15	A2-s2, d0	95	wipeable moist cloth		✓

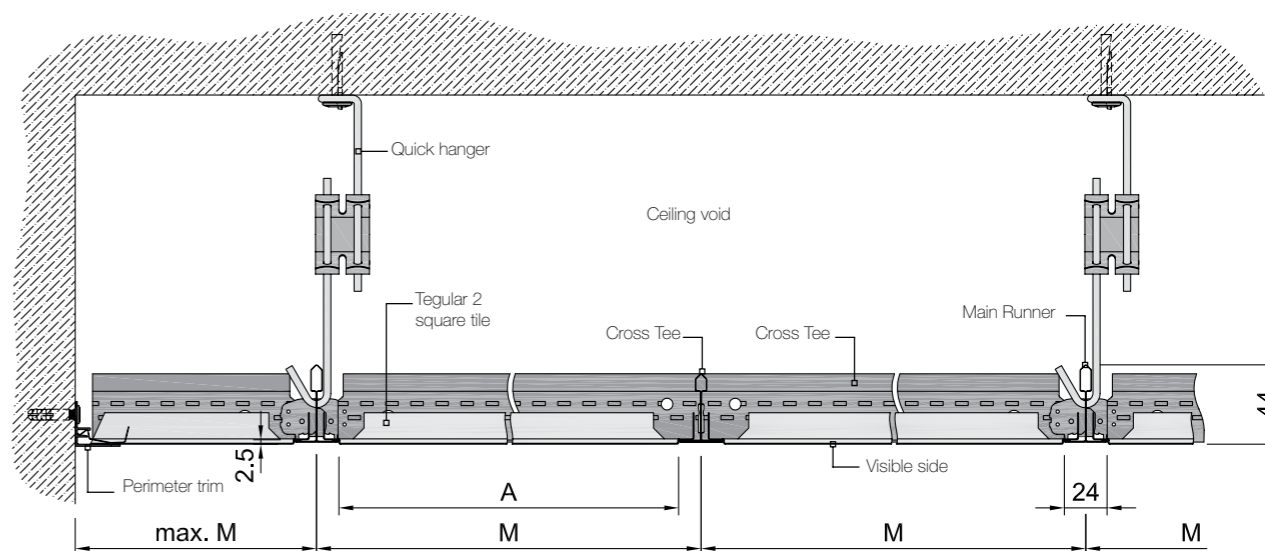
(1) RAL 9010 colour, without acoustic inlay. (2) RAL 9010 colour, with black acoustic fleece glued on rear. (3) Wipeable moist cloth for perforated tiles with fleece. Scrubbable for plain tiles or perforated tiles without fleece.
*Premium B15 and OP19 only available for Tegular 8 and Tegular 16, also some sizes of Tegular 2.

TEGULAR 2

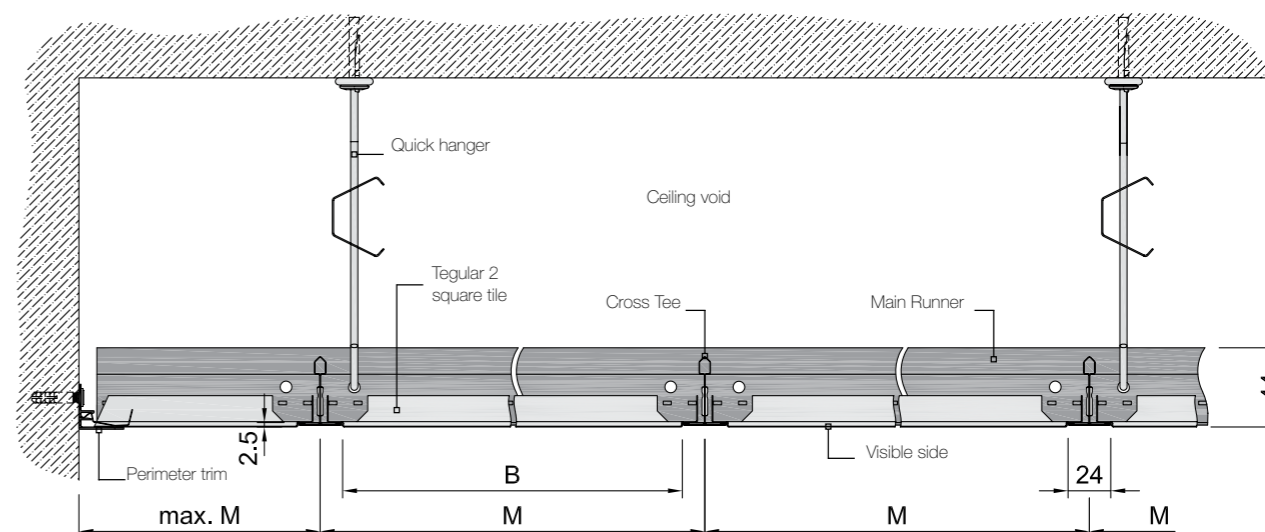
Detail A Tegular 2 square tile



CROSS-SECTION TEGULAR 2



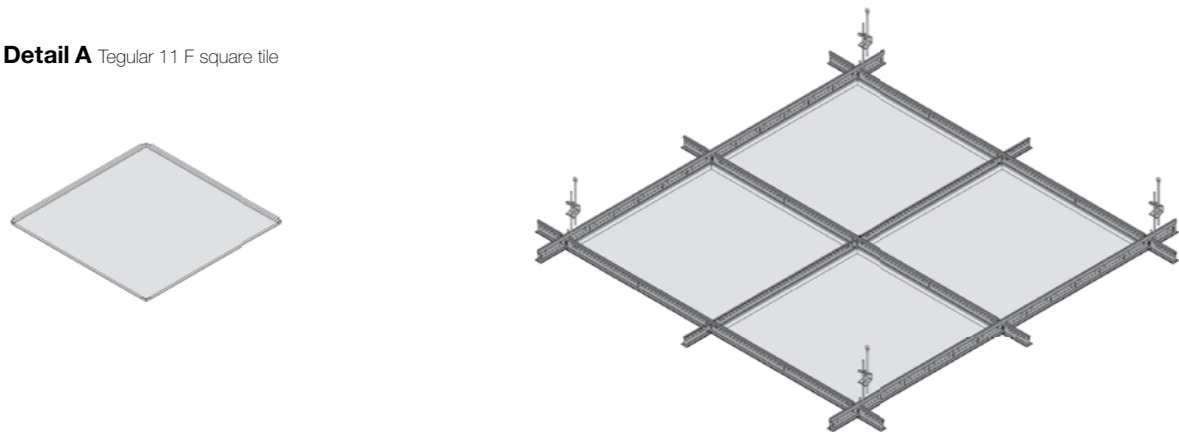
LONGITUDINAL-SECTION TEGULAR 2



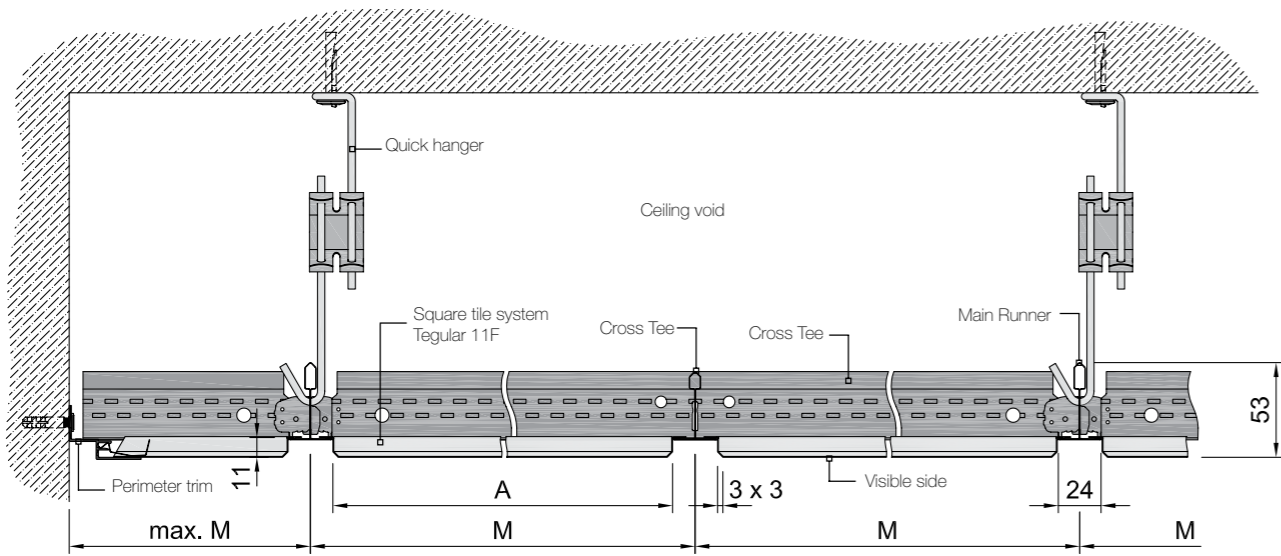
M = module size / A = tile length / B = tile width

TEGULAR 11F

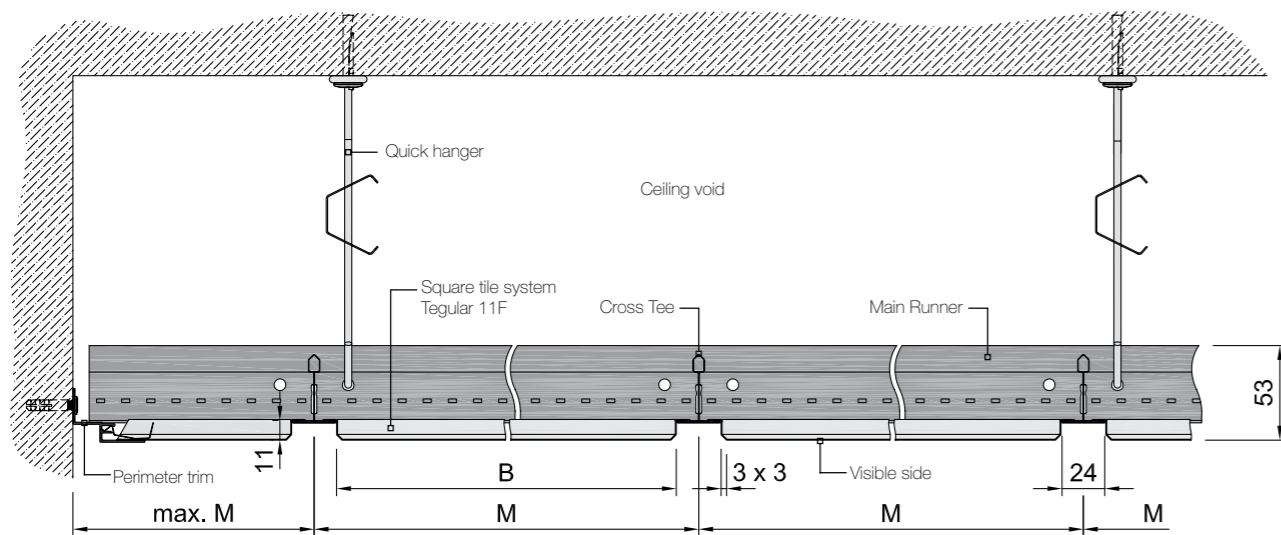
Detail A Tegular 11 F square tile



CROSS-SECTION TEGULAR 11F



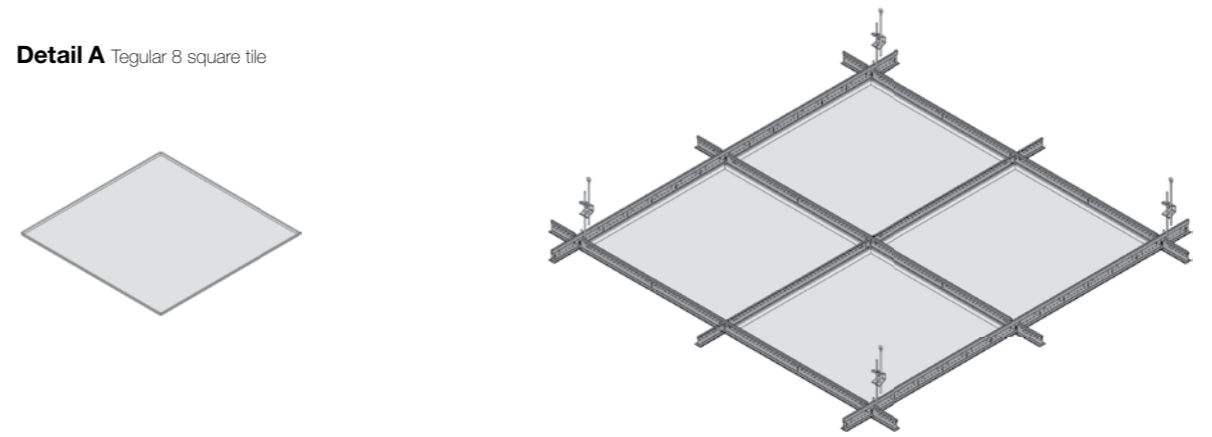
LONGITUDINAL-SECTION TEGULAR 11F



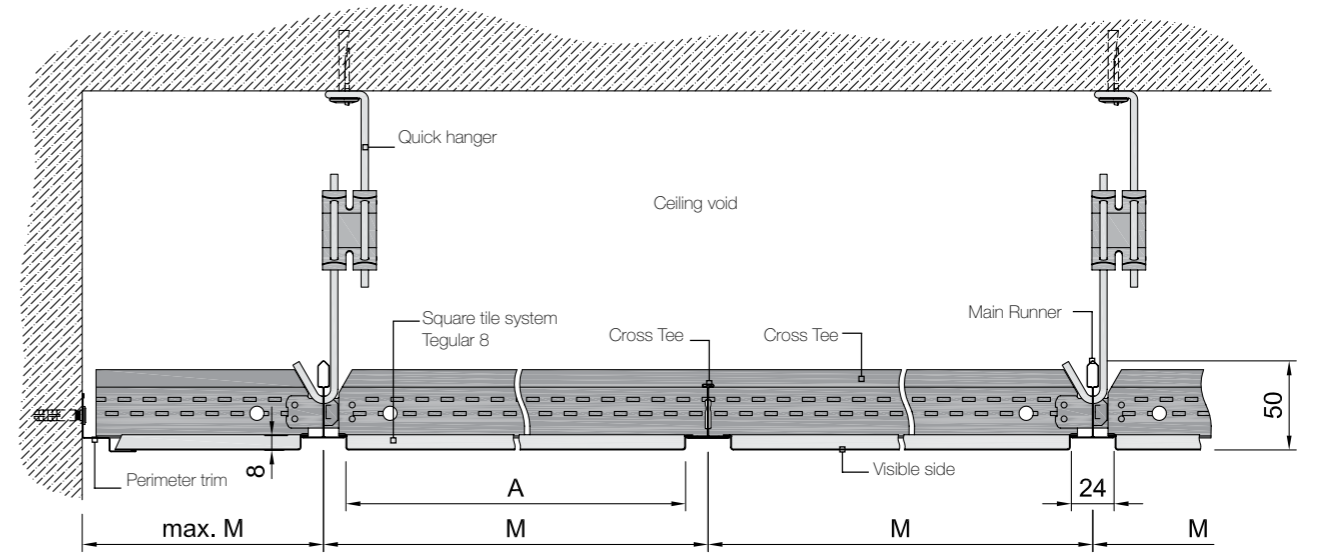
M = module size / A = tile length / B = tile width

TEGULAR 8

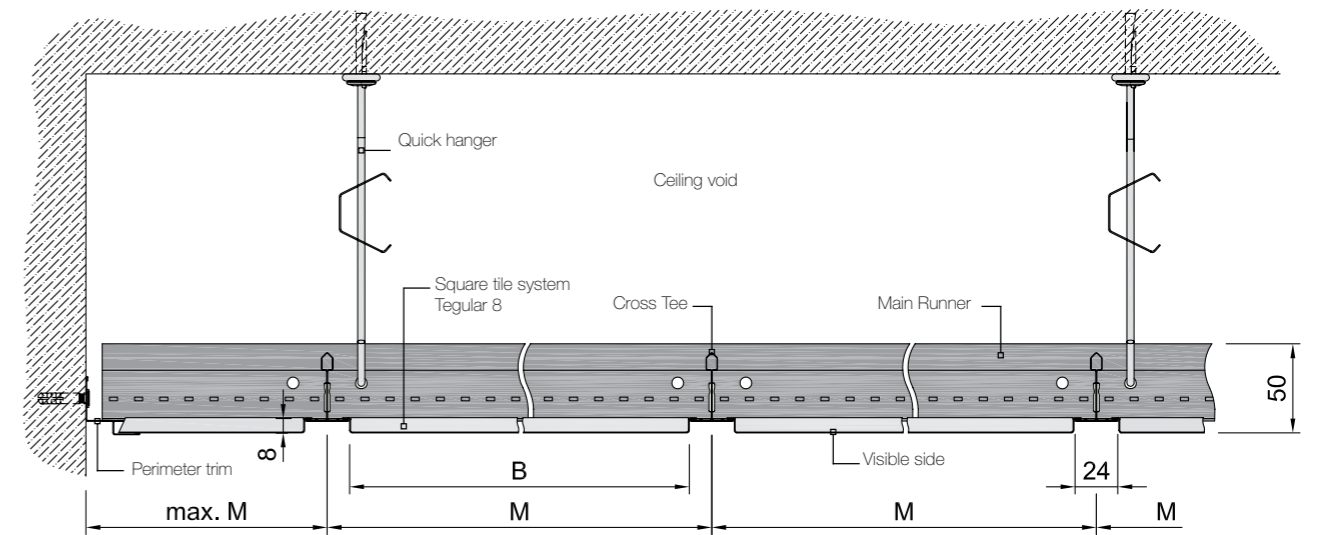
Detail A Tegular 8 square tile



CROSS-SECTION TEGULAR 8



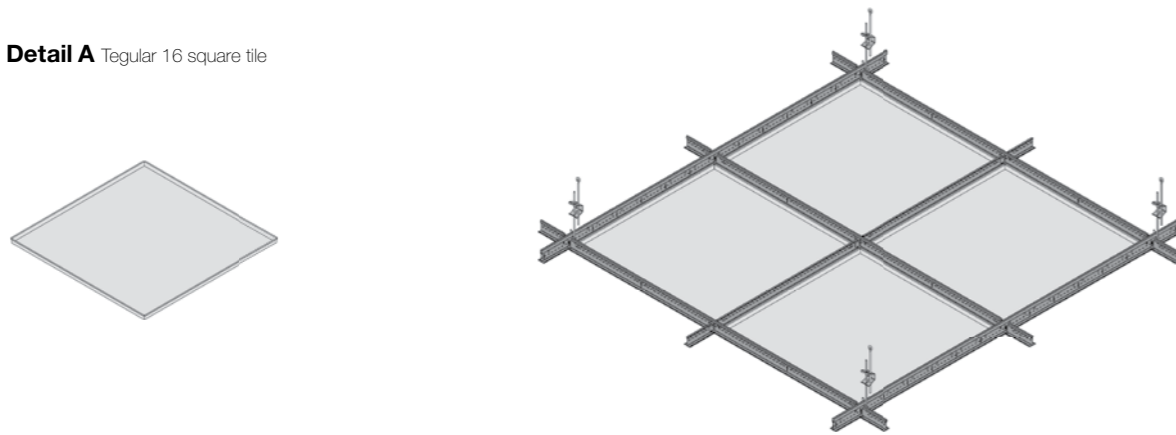
LONGITUDINAL-SECTION TEGULAR 8



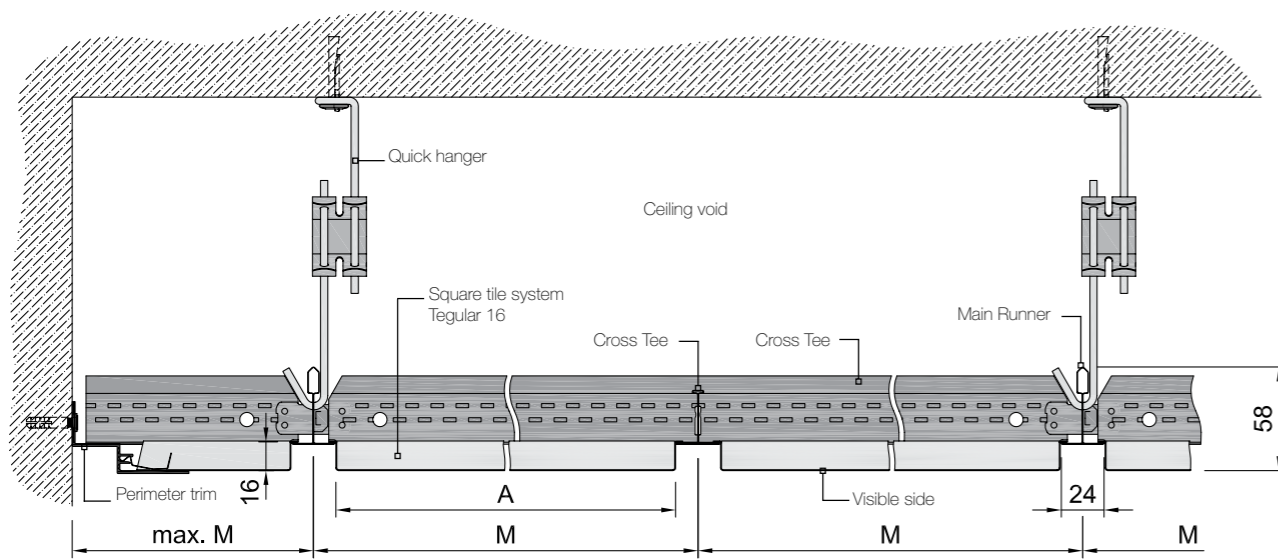
M = module size / A = tile length / B = tile width

TEGULAR 16

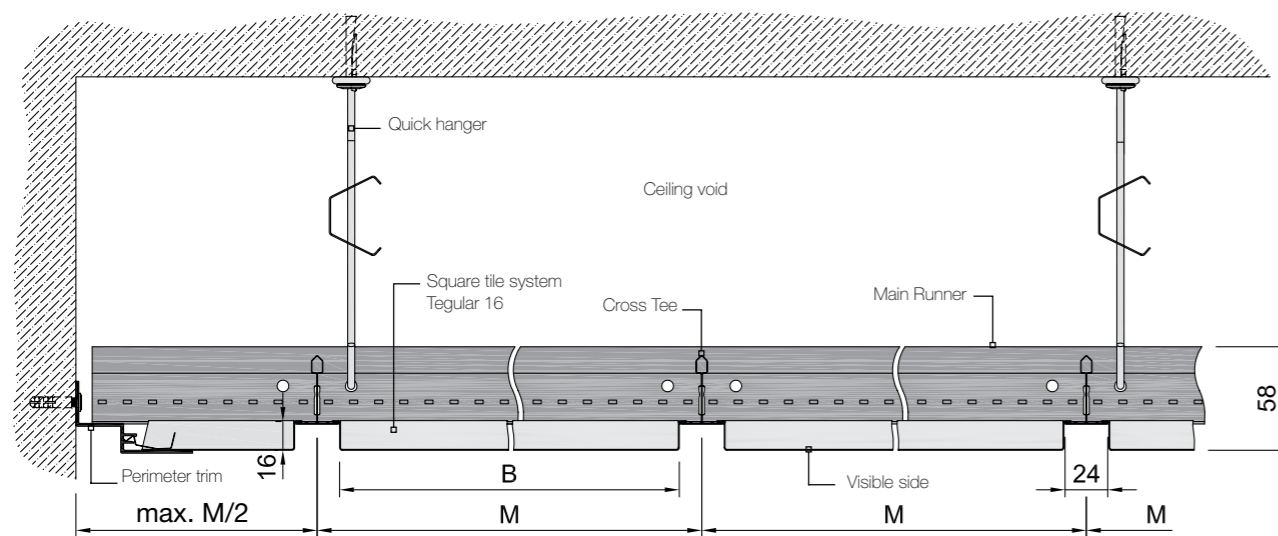
Detail A Tegular 16 square tile



CROSS-SECTION TEGULAR 16



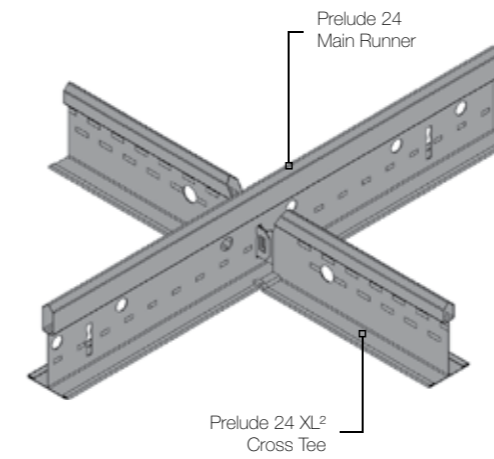
LONGITUDINAL-SECTION TEGULAR 16



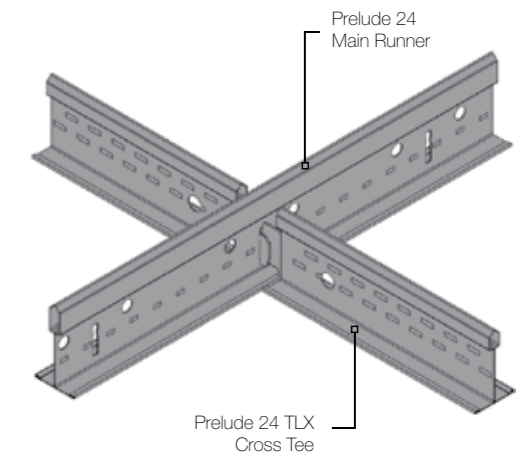
M = module size / A = tile length / B = tile width

GRID SYSTEM

Detail A: Prelude 24 XL² grid option
Not recommended with Tegular 2 tiles

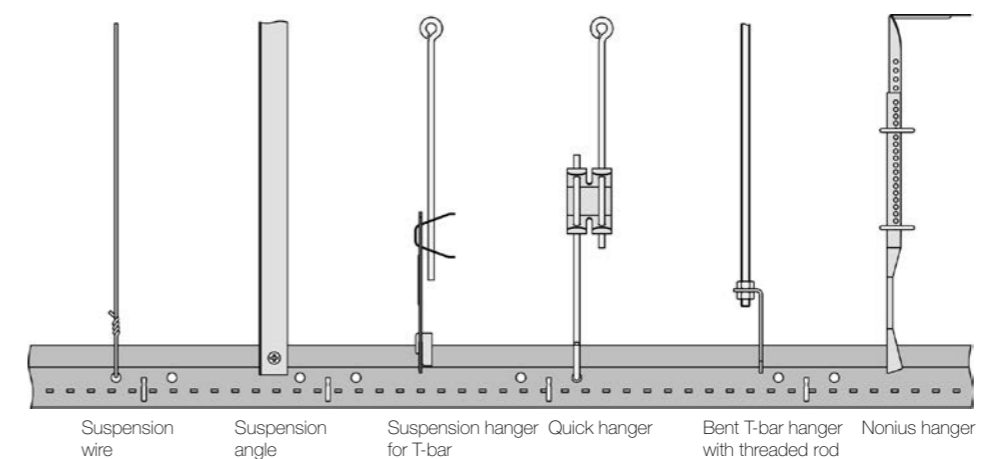


Detail B: Prelude 24 TLX grid option



Compatible system: **TLX:** T2, T8, T11F, T16
XL²: T11F, T8, T16

Detail C: Suspension methods



Metal
product

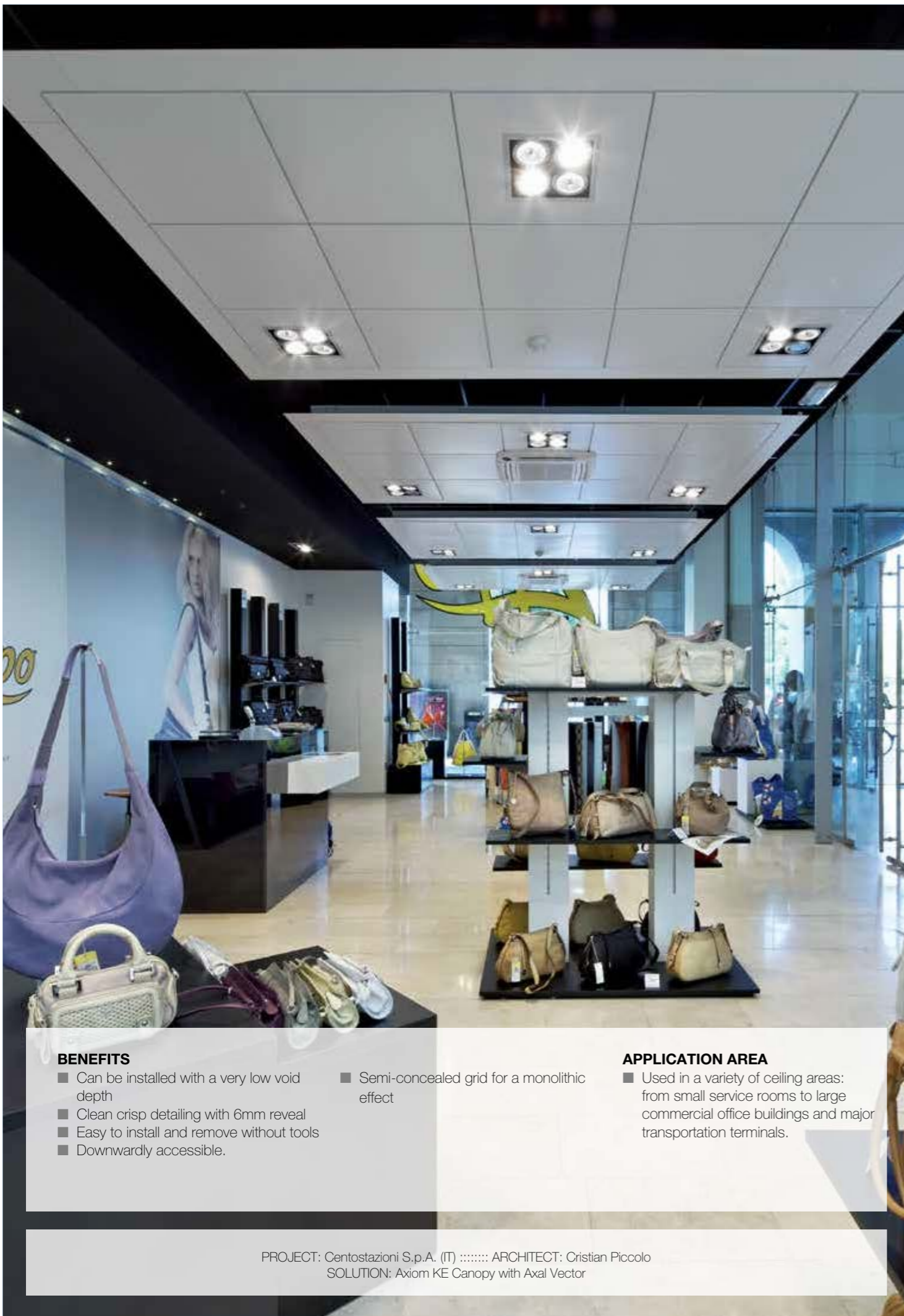


LAY-IN AXAL VECTOR
Square & rectangular tiles

Inspiring Great Spaces™

Armstrong®

LAY-IN AXAL VECTOR SQUARE & RECTANGULAR TILES



SPECIFICATION

System	Armstrong ceiling system Axal Vector, Lay-In solution with semi-concealed grid 24 mm
Tile material	galvanised steel sheet 0.5 mm (0.6 mm for module 750 x 750 mm)
Coating	RAL 9010 pure white post-coated powder painted visible surface, other RAL or NCS colours on request
Execution*	square tile square edged
Gap solution	6 mm reveal detail, without gasket
Acoustic inlay	black non-woven acoustic fleece as standard. Other options available on request.
Standard modules	500 x 500 mm 600 x 600 mm 300 x 600 mm 675 x 675 mm 750 x 750 mm
Grid system	Prelude XL ² 24

Perimeter solution	range of standards trims in steel and aluminium plus custom bulkheads available
Service integration	standard round or rectangular cut-outs plus customized options on request



* For further information about the edge detail execution of metal tiles, please see the Metal Edge Detail Execution datasheet

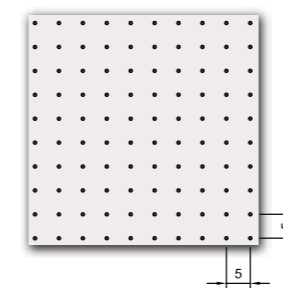
BENEFITS

- Can be installed with a very low void depth
- Clean crisp detailing with 6mm reveal
- Easy to install and remove without tools
- Downwardly accessible.
- Semi-concealed grid for a monolithic effect

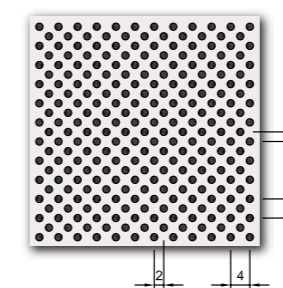
APPLICATION AREA

- Used in a variety of ceiling areas: from small service rooms to large commercial office buildings and major transportation terminals.

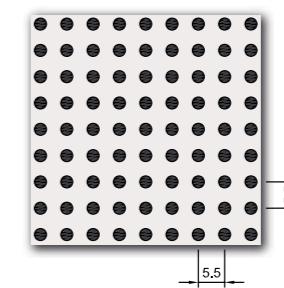
STANDARD PERFORATION PATTERNS



Extra Microperforation Rg 0701
Hole diameter: 0.7 mm
Free area: 1.5 %



Microperforation Rd 1522
Hole diameter: 1.5 mm
Open area: 22% with 20 mm plain border



Standard Perforation Rg 2516
Hole diameter: 2.5 mm
Open area: 16% with 20 mm plain border

ACOUSTIC PERFORMANCE

Metal ceiling systems have been tested for their acoustic performance of sound absorption. All perforated products can be supplied with a variety of factory fitted acoustic infill options. Please contact us for more information.

THERMAL CONDUCTIVITY

(λ) W/mK
50.0: Steel
0.04: Acoustic fleece

HUMIDITY EXPOSURE

Up to 95% RH (for short term exposure).

SERVICES INTEGRATION

Metal panels can be supplied with factory produced cut outs and apertures for the integration of building services equipment.

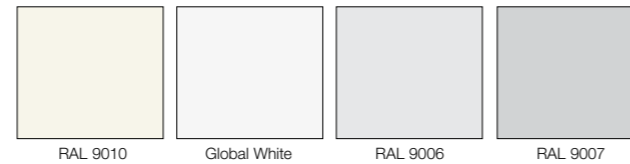
CLEANING

Dust should be removed from the painted surface by wiping with a clean soft cloth. More stubborn marks should be removed with a mild household detergent in warm water. Excessive use of water should be avoided. The use of abrasive cleaners of the painted surface is not recommended.

COLOURS

Standard colour

RAL 9010 20% gloss
Global White 12% gloss
RAL 9006 30% gloss
RAL 9007 30% gloss



Special colours

Other RAL and NCS colours available on request

QUALITY STANDARD

Armstrong is a certified **EN ISO 9001:2008** Quality Assumed Manufacturer. All Armstrong ceiling and grid systems are manufactured to the relevant tolerances and quality standards appropriate to material. Where differences exist between this and any expressed or implied architectural specifications or requirements then Armstrong's manufacturing standards will prevail unless stated otherwise.

ENVIRONMENTAL

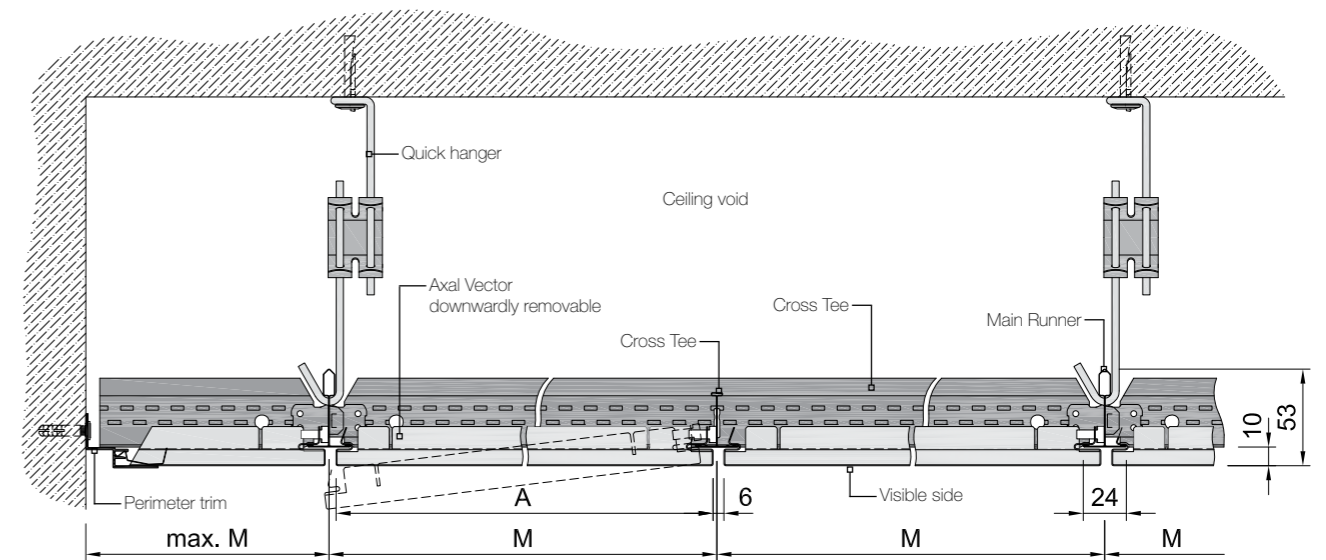
Our metal panels have an average of up to 30% recycling content. Our European manufacturing plants are certified to: **ISO 14001:2004 + Cor. 1:2009**
Armstrong is a member of TAIM (Technical Association of Industrial Metal Ceilings).

Sustainability		Acoustics						Safe & Healthy				
Recycled content (%)	Light reflectance (%)	α _w up to	Sound absorption class	NRC up to	Dncw / Dnfw (dB) up to	Rw (dB) up to	Fire reaction	Humidity Resistance (%) up to	Cleanability	Bioguard paint option	Scratch resistance	

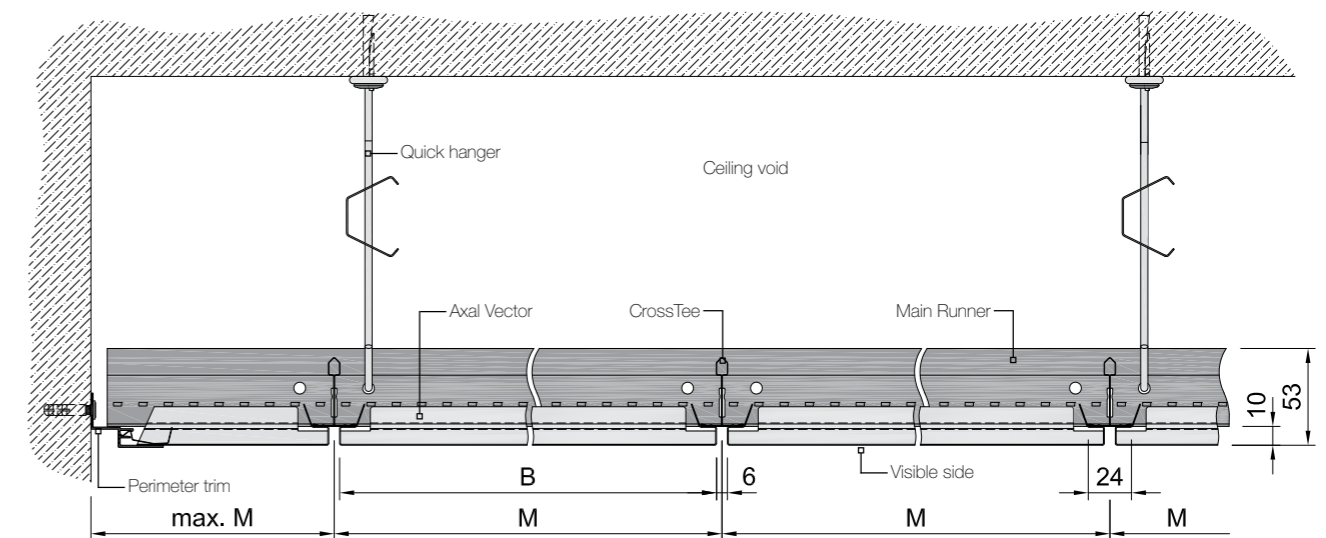
Ultra Microperforation Rg 0501 (1)	up to 30	83	0.45(L)	D	0.55	18	8	A1	95	scrubbable	✓	✓
Extra Microperforation Rg 0701 (2)	up to 30	80	0.55(L)	D	0.65	21	10	A2-s2, d0	95	wipeable moist cloth (3)	✓	✓
Microperforation Rd 1522 (2)	up to 30	65	0.70	C	0.70	16	6	A2-s2, d0	95	wipeable moist cloth (3)		✓
Standard Perforation Rg 2516 (2)	up to 30	70	0.75(L)	C	0.80	18	8	A2-s2, d0	95	wipeable moist cloth (3)		✓
Plain / Unperforated (1)	up to 30	85	0.10(L)	Not Classified	0.10	44	19	A1	95	scrubbable	✓	✓
Premium B15*	up to 30	depends on perforation	0.65	C	0.60	47	21	A2-s1, d0	95	wipeable moist cloth		✓
Premium OP19*	up to 30	depends on perforation	1.00	A	0.90	31	15	A2-s2, d0	95	wipeable moist cloth		✓

(1) RAL 9010 colour, without acoustic inlay. (2) RAL 9010 colour, with black acoustic fleece glued on rear. (3) Wipeable moist cloth for perforated tiles with fleece. Scrubbable for plain tiles or perforated tiles without fleece.
*Premium B15 and OP19 only available for Tegular 8 and Tegular 16, also some sizes of Tegular 2.

CROSS-SECTION AXIAL VECTOR



LONGITUDINAL-SECTION AXIAL VECTOR

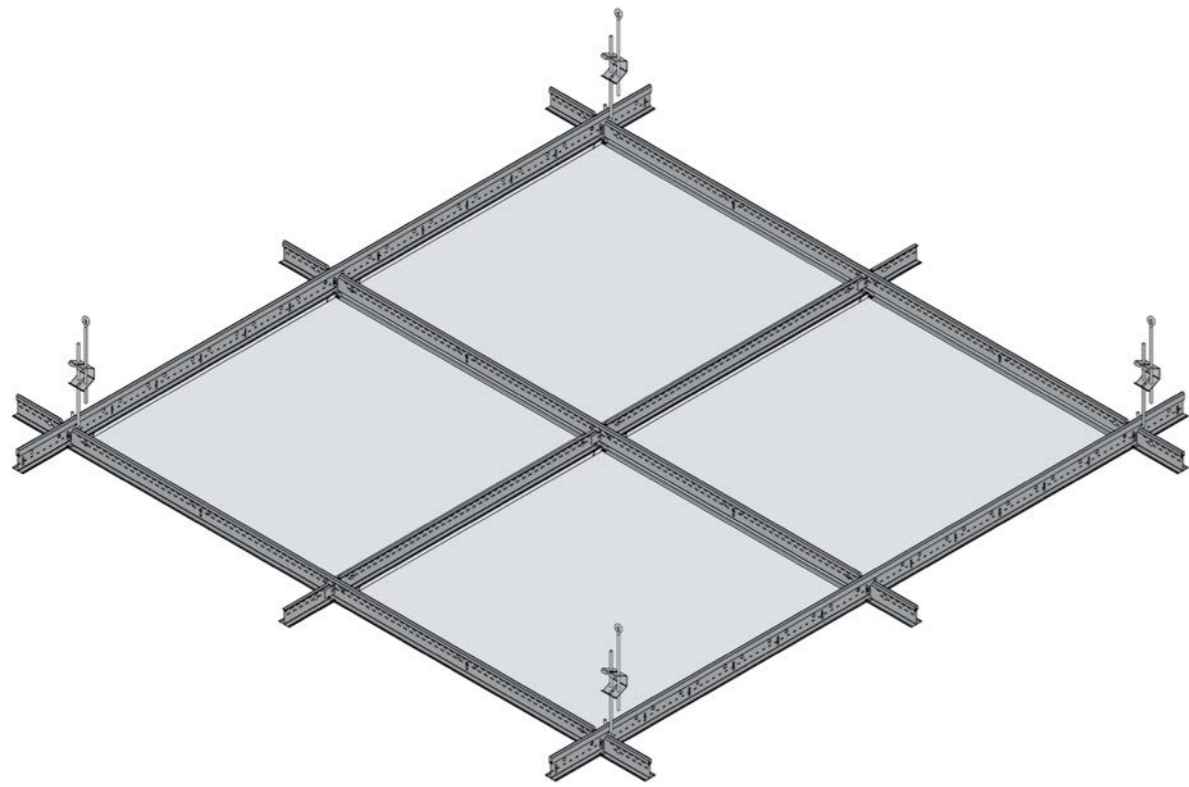
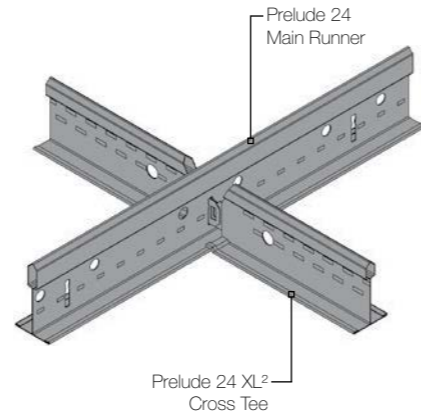


M = module size / A = tile length / B = tile width

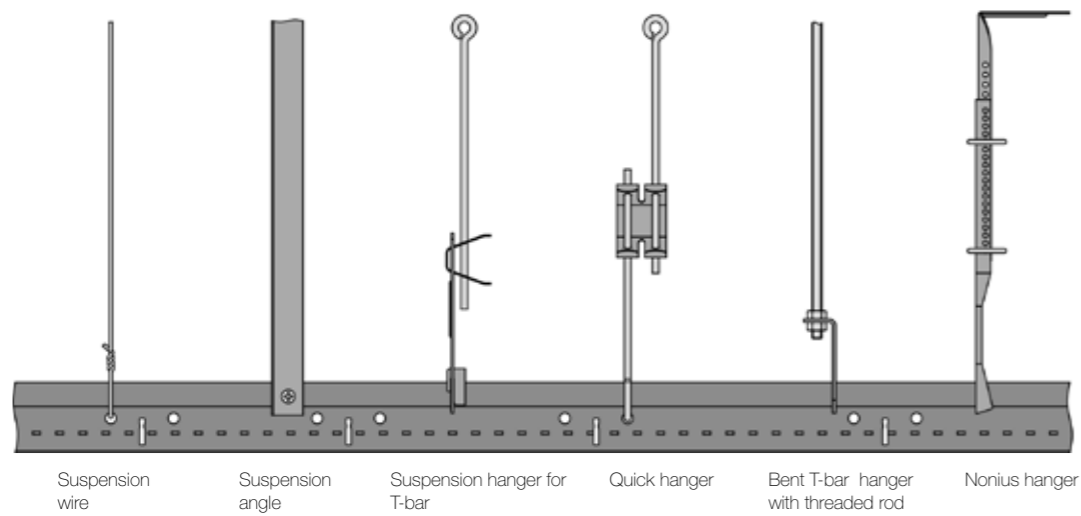
Detail A Axal Vector square tile



Detail B Prelude 24 XL² grid system



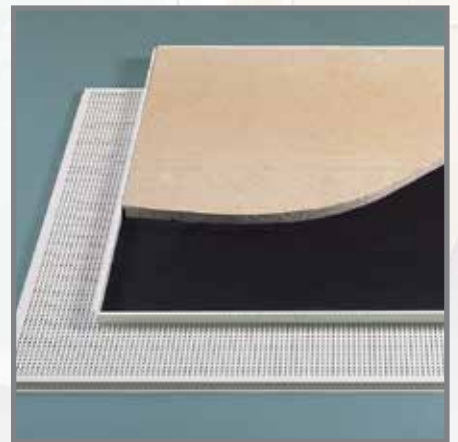
Detail C suspension methods



PROJECT: Aviva Stadium (IE) ::::: ARCHITECT: Scott Tallon Walker
SOLUTION: Axal Vector plain

METAL PREMIUM B15

- Premium B15 is an acoustic infill solution for standard Armstrong metal ceiling tiles.
- Specially developed 15 mm thick Premium B15 infills optimise absorption performance with high room to room sound attenuation.
- Premium B15 mineral infills are factory bonded into metal tiles and supplied as a complete acoustic unit.
- The bonded construction of a metal ceiling tile with a Premium B15 infill reduces 'pattern staining' associated with incorrectly fitted mineral wool type acoustic pads.



Inspiring Great Spaces™

Armstrong®

METAL PREMIUM B15



Wipeable
moist cloth

RH 95%



Recycled Content



Confidentiality

	STANDARD PERFORATED		MICROPERFORATED		EXTRA MICROPERFORATED	
	Rg 2516		Rd 1522		Rg 0701	
	2.5 mm dia. holes - 16% Open area		1.5 mm dia. holes - 22% Open area		0.7 mm dia. holes - 1.5% Open area	
Items with Premium B15 infill						
S-Clip F	600 x 600 mm	2092 MP	2093 MP	2770 MP		
	900 x 300 mm	3709 MP	3712 MP	3715 MP		
	1200 x 300 mm	3710 MP	3713 MP	3716 MP		
	1500 x 300 mm	3711 MP	3714 MP	3717 MP		
T-Clip F	600 x 600 mm	9308 MP	9337 MP	2744 MP		
	1200 x 300 mm	9312 MP	9430 MP	2748 MP		
	1200 x 600 mm	4315 MP	4316 MP	2750 MP		
	1500 x 300 mm	9313 MP	9431 MP	2749 MP		
Board	600 x 600 mm	9335 MP	9427 MP	2771 MP		
Axal Vector	600 x 600 mm	9419 MP	9420 MP	2118 MP		
MicroLook 8	600 x 600 mm	9339 MP	9324 MP	2184 MP		
	1200 x 300 mm	3720 MP	3722 MP	3724 MP		
	1200 x 600 mm	3721 MP	3723 MP	3725 MP		
MicroLook 16	600 x 600 mm	4701 MP	4702 MP	2787 MP		
Tegular 2	600 x 600 mm	9443 MP	9444 MP	2786 MP		
Tegular 8	600 x 600 mm	9684 MP	9685 MP	2783 MP		
	1200 x 300 mm	3728 MP	3730 MP	3732 MP		
	1200 x 600 mm	3729 MP	3731 MP	3733 MP		
Tegular 16	600 x 600 mm	9681 MP	9682 MP	2779 MP		

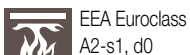
For other size / item possibilities, please contact Armstrong Technical Sales.

	Sound Absorption	Perforation	Cert #	α_w	Class	NRC	125	250	500	1000	2000	4000	Hz
		Rg 0701	2334	0.65	C	0.60	0.40	0.45	0.55	0.70	0.80	0.70	α_p
		Rd 1522	2337	0.60 (H)	C	0.60	0.40	0.40	0.50	0.65	0.75	0.90	
		Rg 2516	2340	0.60 (H)	C	0.60	0.40	0.45	0.50	0.65	0.75	0.90	

	Sound Reduction R_w	Perforation	Cert #	R_w
		Rg 0701	7027	20
		Rd 1522	5941a	18
		Rg 2516	7028	18

	Sound Attenuation D_{ncw}	Perforation	Cert #	D_{ncw}
		Rg 0701	2427	40
		Rd 1522	2443	41
		Rg 2516	2443*	41

*Performance assessed based on the Rd 1522 test certificate.



EN 13501-1



7 - 8 kg/m²

WESTERN EUROPE

Belgium & Luxembourg

Armstrong Building Products B.V.
Bureaux Commerciaux Belgique
Postbus 3803
4800 DV Breda
Nederland
Tel.: (+32) 02 223 00 72
Fax: (+31) 076 521 04 07
e-mail: benelux-info@armstrong.com
www.armstrong-plafonds.be

Germany & Switzerland

Armstrong Building Products
Kundenservice
Office Building Quadrium
Claudius Prinsenlaan 126
4818 CP Breda
Niederlande
Tel.: (+49) 0251 7603 210
Fax: (+49) 0251 7603 593
e-mail: deutsche-info@armstrong.com
www.armstrong-decken.de
www.armstrong-decken.at
www.armstrong.ch

Armstrong Metalldecken AG
Breitfeldstrasse 8
9015 St. Gallen
Switzerland
Tel.: +41 (0) 71 313 63 63
Fax: +41 (0) 71 313 64 00

Zentralschweiz
Armstrong Metalldecken AG
Büro / Lager Zentralschweiz
Grossweid 9
CH-6026 Rain
Tel.: +41 (0) 41 921 63 63
Fax: +41 (0) 41 921 63 80

Suisse Romande
Armstrong Plafonds Métalliques SA
Bureau Suisse Romande
3, rue Gustave-Monynier
CH-1202 Genève
Tel.: +41 (0) 22 731 60 70
Fax: +41 (0) 22 731 60 74

Austria

Armstrong Metalldecken GmbH
Bundesstrasse 70
A-6830 Rankweil
Tel.: +43 (0) 55 22 34 44-0
Fax: +43 (0) 55 22 34 44-8

Armstrong Metalldecken GmbH
Messendorferstrasse 6
A-8041 Graz
Tel.: +43 (0) 31 64 71 584
Fax: +43 (0) 31 64 71 584-10

Spain & Portugal

Armstrong Building Products
Oficina de ventas España
C/ Caléndula, 95 – Miniparc II
Edificio "M" – Planta 1ª
Urb. El Soto de la Moraleja
28109 – Alcobendas Madrid
Tel.: (+34) 91 642 04 99
e-mail: info-espana@armstrong.com
www.armstrong.es/techos

France & French Speaking Africa

Armstrong Building Products SAS
Bureaux Commerciaux France
Immeuble Paryseine
3 Allée de la Seine
94854 Ivry-sur-Seine
Tel.: 0800 41 36 43
Fax: (+33) 1 45 21 04 11
e-mail: info-france@armstrong.com
www.armstrong.fr/plafonds

Siège social
Armstrong Building Products SAS
67 rue de Salins – CS 20089
25302 Pontarlier Cedex
France

Italy & Greece

Armstrong Building Products
Ufficio Commerciale Italia
Immeuble Paryseine
3 Allée de la Seine
94854 Ivry-sur-Seine
Francia
Tel.: (+39) 02 66 22 76 50
Fax: (+39) 02 66 20 14 27
e-mail: info-italia@armstrong.com
www.armstrong-soffitti.it
www.armstrong.eu

Netherlands

Armstrong Building Products B.V.
Verkoopkantoor Nederland
Postbus 3803
4800 DV Breda
Nederland
Tel.: (+31) 076 52 30 200
Fax: (+31) 076 521 04 07
e-mail: benelux-info@armstrong.com
www.armstrong.nl/plafonds

United Kingdom

Armstrong World Industries Ltd
Building Products Division
Armstrong House
38 Market Square
Uxbridge UB8 1NG
Tel.: 0800 371849
Fax: (+44) 1895 274287
e-mail: sales-support@armstrong.com
www.armstrong-ceilings.co.uk

Republic of Ireland

Armstrong World Industries Ltd.
108 Greenlea Road
Terenure
Co Dublin 6W
Ireland
Tel.: 1800 409002
Tel.: (+353) 1 499 1701
Fax: (+353) 1 490 7061
e-mail: sales-support@armstrong.com
www.armstrong-ceilings.ie

CENTRAL EUROPE NORTH

(DK/EE/FIN/IS/LT/LV/N/PL/S)

Armstrong Building Products BV
Sp. z o.o. Oddział w Polsce
ul. Domaniewska 37
02-672 Warszawa
Poland
Tel.: (+48) 22 337 86 10/ 86 11
Fax: (+48) 22 337 86 12
e-mail: service-ce@armstrong.com
Latvia: www.armstrong.lv
Lithuania: www.armstrong.lt
Norway: www.armstrong.no
Poland: www.armstrong.pl
Sweden: www.armstrong.se

CENTRAL EUROPE SOUTH

(AL/BA/BG/CZ/HR/HU/KO/MD/ME/MK/RO/RS/SK/SI)

Armstrong Building Products
Lighthouse building,
Jankovcova 1569/2c,
170 00 Praha 7,
Czech Republic
Tel.: +420 234 700 543
e-mail: service-ce@armstrong.com
Czech Republic: www.armstrong.cz
Hungary: www.armstrong.co.hu
Romania: www.armstrong.ro
Serbia: www.armstrong.rs
Slovakia: www.armstrong.sk
Slovenia: www.armstrong.si

EASTERN EUROPE

CIS

Armstrong Moscow GmbH
Park Place, office E502
113/1, Leninsky Prospekt
Moscow 117198
Russia
Tel.: (+7) 495 956 5100
Fax: (+7) 495 956 5101
e-mail: info-cis@armstrong.com
Russian Federation: www.armstrong.ru

MIDDLE EAST / AFRICA / TURKEY

Armstrong World Industries Ltd Africa Middle East Turkey Division

Armstrong House
38 Market Square
Uxbridge UB8 1NG
Tel.: (+44) 01895 202097
Fax: (+44) 01895 272928
e-mail: sales-support@armstrong.com
www.armstrong.eu
Israel: www.armstrong.co.il
South Africa: www.armstrong-ceilings.co.za

Dubai | United Arab Emirates

Armstrong World Industries JLT
Office No. 2003, 20th Floor
Gold Crest Executive Tower
Jumeirah Lakes Towers
P.O. Box 73831
Dubai, U.A.E.
info-me@armstrong.com
www.armstrong.ae

Turkey

Armstrong Europa GmbH
Mimar Sinan Mah. Mimar Sinan
35/2 Cekmekoy
Istanbul
Türkiye
Gsm: +90 542 772 49 22
Gsm: +90 544 293 5931
www.armstrong.com.tr
etulpar@armstrong.com